

COVER PAGE OF THE ANNUAL ARTICLE 7 REPORT - CONVENTION ON CLUSTER MUNITIONS

NAME OF STATE [PARTY]: **THE REPUBLIC OF CROATIA**

REPORTING PERIOD: 01. 01. 2017. to 31. 12. 2017.  
(dd/mm/yyyy) (dd/mm/yyyy)

<p><b>Form A: National implementation measures:</b></p> <table border="1"> <tr><td></td><td>changed</td></tr> <tr><td>x</td><td>unchanged (last reporting: 2015)</td></tr> </table>		changed	x	unchanged (last reporting: 2015)	<p><b>Form F: Contaminated areas and clearance:</b></p> <table border="1"> <tr><td>x</td><td>changed</td></tr> <tr><td></td><td>unchanged (last reporting: 2016)</td></tr> <tr><td></td><td>non applicable</td></tr> </table>	x	changed		unchanged (last reporting: 2016)		non applicable		
	changed												
x	unchanged (last reporting: 2015)												
x	changed												
	unchanged (last reporting: 2016)												
	non applicable												
<p><b>Form B: Stockpiles and Destruction of Cluster Munitions:</b></p> <table border="1"> <tr><td>x</td><td>changed</td></tr> <tr><td></td><td>unchanged (last reporting: 2016)</td></tr> <tr><td></td><td>non applicable</td></tr> </table>	x	changed		unchanged (last reporting: 2016)		non applicable	<p><b>Form G: Measures to provide warning to the population and risk education:</b></p> <table border="1"> <tr><td>x</td><td>changed</td></tr> <tr><td></td><td>unchanged (last reporting: 2016)</td></tr> <tr><td></td><td>non applicable</td></tr> </table>	x	changed		unchanged (last reporting: 2016)		non applicable
x	changed												
	unchanged (last reporting: 2016)												
	non applicable												
x	changed												
	unchanged (last reporting: 2016)												
	non applicable												
<p><b>Form C: Cluster Munitions retained or transferred:</b></p> <table border="1"> <tr><td>x</td><td>changed</td></tr> <tr><td></td><td>unchanged (last reporting: 2016)</td></tr> <tr><td></td><td>non applicable</td></tr> </table>	x	changed		unchanged (last reporting: 2016)		non applicable	<p><b>Form H: Victim assistance: status and progress of implementation of the obligations under Article 5:</b></p> <table border="1"> <tr><td>x</td><td>changed</td></tr> <tr><td></td><td>unchanged (last reporting: 2016)</td></tr> <tr><td></td><td>non applicable</td></tr> </table>	x	changed		unchanged (last reporting: 2016)		non applicable
x	changed												
	unchanged (last reporting: 2016)												
	non applicable												
x	changed												
	unchanged (last reporting: 2016)												
	non applicable												
<p><b>Form D: Technical characteristics of each type produced/owned or possessed:</b></p> <table border="1"> <tr><td></td><td>changed</td></tr> <tr><td>x</td><td>unchanged (last reporting: 2015)</td></tr> <tr><td></td><td>non applicable</td></tr> </table>		changed	x	unchanged (last reporting: 2015)		non applicable	<p><b>Form I: National resources and international cooperation and assistance:</b></p> <table border="1"> <tr><td></td><td>changed</td></tr> <tr><td>x</td><td>unchanged (last reporting: 2016)</td></tr> <tr><td></td><td>non applicable</td></tr> </table>		changed	x	unchanged (last reporting: 2016)		non applicable
	changed												
x	unchanged (last reporting: 2015)												
	non applicable												
	changed												
x	unchanged (last reporting: 2016)												
	non applicable												
<p><b>Form E: Status and progress of programs for conversion or de-commissioning of production facilities:</b></p> <table border="1"> <tr><td></td><td>changed</td></tr> <tr><td>x</td><td>unchanged (last reporting: 2015)</td></tr> <tr><td></td><td>non applicable</td></tr> </table>		changed	x	unchanged (last reporting: 2015)		non applicable	<p><b>Form J: Other Relevant Matters</b></p> <table border="1"> <tr><td></td><td>changed</td></tr> <tr><td>x</td><td>unchanged (last reporting: 2016)</td></tr> <tr><td></td><td>non applicable</td></tr> </table>		changed	x	unchanged (last reporting: 2016)		non applicable
	changed												
x	unchanged (last reporting: 2015)												
	non applicable												
	changed												
x	unchanged (last reporting: 2016)												
	non applicable												

**CONVENTION ON CLUSTER MUNITIONS**

**REPORTING FORMATS  
FOR ARTICLE 7 OF THE CONVENTION ON CLUSTER MUNITIONS**

STATE [PARTY] : .....**THE REPUBLIC OF CROATIA** .....

NATIONAL POINT(S) OF CONTACT (Organization, telephones, fax, e-mail)<sup>1</sup>:

**GOVERNMENT OFFICE FOR MINE ACTION, Mesnička 23, Zagreb, Croatia**  
Tel. +385 1 6303 990; Fax: +385 1 6303 996; E-mail: [info@mine.vlada.hr](mailto:info@mine.vlada.hr)

**MINISTRY OF DEFENCE, Defence Policy Directorate, Department of Multilateral Affairs  
and International Security, Arms Control Section**  
Tel: +385 1 3784 169; Fax: +385 1 3784 383; E-mail: [nkovac@morh.hr](mailto:nkovac@morh.hr)

**CROATIAN MINE ACTION CENTER, Ante Kovačića 10, Sisak, Croatia**  
Tel: +385 44 554 100; Fax: +385 44 554 111; E-mail: [hcr@hcr.hr](mailto:hcr@hcr.hr); WEB: [www.hcr.hr](http://www.hcr.hr)

DATE OF SUBMISSION: **24/04/2018**.....  
[dd/mm/year]

REPORTING TIME PERIOD FROM ... **JAN 01, 2017**..... TO **DEC 31, 2017**.....

NOTE: all data **shaded in gray** is provided on a VOLUNTARY basis but pertains to compliance and implementation not covered by the formal reporting requirements contained in Article 7.

<sup>1</sup> In accordance with Article 7.1 (l)

**Form A National implementation measures**

Article 7.1 "Each State Party shall report to the Secretary-General ... on:  
a) The national implementation measures referred to in Article 9."

Remark: In accordance with Article 9, "Each State Party shall take all appropriate legal, administrative and other measures to implement this Convention, including the imposition of penal sanctions, to prevent and suppress any activity prohibited to a State Party under this Convention undertaken by persons or on territory under its jurisdiction or control".

State [Party]: THE REPUBLIC OF CROATIA Reporting for time period from JAN 01, 2017 to DEC 31, 2017

Legal, administrative and other measures taken to implement the CCM (including details on existing legislation and penal sanctions)	Supplementary information (e.g., effective date of implementation & text of legislation attached, administrative measures, policies & directives, training of military forces).
----------------------------------------------------------------------------------------------------------------------------------------	---------------------------------------------------------------------------------------------------------------------------------------------------------------------------------

On June 5, 2009 Croatian Parliament passed a Law on Ratification of the CCM. Republic of Croatia formally deposited its ratification instrument with the UN on August 17, 2009. The CCM entered into force on August 1, 2010 becoming binding international law.

The introduction of the CCM to the Croatian Armed Forces was used to reshape and expand the curriculum time dedicated at all levels of education on the agreements, treaties and conventions signed and ratified by the Republic of Croatia. Starting at basic, advance and senior NCO courses it expands and gets more in-depth coverage all the way up to the War College level. This new expanded curriculum was introduced in September 2011 and is regularly updated.

Having recognized that mine/CM/UXO contamination is a problem of domestic security, economic development and environmental pollution, the Government of the Republic of Croatia decided to strengthen the existing system of mine action by creating its own Office for Mine Action as a focal point in 2012. The Office for Mine Action was established as a governmental body in charge of expert, analytical, counseling, and coordinative and other activities regarding the mine action in Croatia. As such, the Office also monitors the work, activities and operations of the Croatian Mine Action Center. Together with the participation in intergovernmental cooperation in the field of mine action, the Office also cooperates with different authorities in implementation of obligations under international treaties and conventions on prohibitions or restrictions on the use of certain types of conventional weapons that have unacceptable humanitarian impact, such as landmines, cluster munitions and other.

Decree on the Office for Mine Action  
("OG", 21/12)

The Act on Mine Action has been declared on 21 October 2015 and incorporates: Governing the wider scope of activities (ERW victims assistance, information and education about the dangers of mines, UXO and their parts, socio-economic integration of the demined areas), introduction of a new procedure – Supplementary general survey, enabled exclusion of SHAs which have undergone technical survey, SOPs have been removed, CROMAC no longer performs the assessment activities of authorized legal entities for conducting demining operations and other changes in QA/QC procedures, accreditation of legal entities and misdemeanor law regulations.

The Act on Mine Action has been declared  
on 21 October 2015

In 2016, pursuant to the new Law on Mine Action, which entered into force Oct. 21, 2015, on 21 May 2016, "Regulations on how demining, quality control, non-technical and technical surveys and marking of suspected hazardous areas" have entered into force, and on 29 June 2016, "Regulations on personal supervisory booklet and ID card of mine action employees and record forms" have entered into force.

**Form B Stockpiles and Destruction of Cluster Munitions**

PART I : Stockpiled Cluster Munitions

Article 7.1 "Each State Party shall report to the Secretary-General ... on:

(b) The total of all cluster munitions, including explosive submunitions, referred to in paragraph 1 of Article 3 of this Convention, to include a breakdown of their type, quantity and, if possible, lot numbers of each type;

(g) Stockpiles of cluster munitions, including explosive submunitions, discovered after reported completion of the programme referred to in sub-paragraph (e) of this paragraph, and plans for their destruction in accordance with Article 3 of this Convention.

State [Party]: THE REPUBLIC OF CROATIA reporting for time period from JAN 01, 2017 to DEC 31, 2017

**1. The total of all cluster munitions and explosive submunitions, stockpiled under the jurisdiction and control of the State Party**

*The following table does not include munitions retained for the purpose of training and expertise (in accordance with Article 3.6) reported in Form C*

Cluster munitions type	Quantity	Lot numbers (if possible)	Explosive submunitions type	Total quantity of explosive submunitions	Lot numbers (if possible)	Supplementary information
Mortar, 120 mm M93			KB-2	150.443		
MRLS M87 ORKAN, 262 mm			KB-1	288		n/a
Air bomb BL-755			MK-1	441		n/a
Air bomb RBK-250 PTAB-2,5M			PTAB-2,5M	84		n/a
Air bomb RBK-250 275 AO-1 SČ			AO-1 SČ	750		n/a
Air bomb RBK-250 ZAB-2,5M			ZAB-2,5M	2.112		<b>Incendiary bomb Rep. for Transparency</b>
Total:			Total:	<b>154.118</b>		

**2. Additional stockpiles discovered after reported completion of the programme for destruction**

Cluster munition type	Quantity discovered	Lot number (if possible)	Explosive submunition type	Total quantity of explosive submunitions	Lot number (if possible)	Plans for destruction	Where, when and how discovered	Supplementary information
Total:			Total:					

**3. Status and progress ... in separating all CM under its jurisdiction and control from other munitions retained for operational use and marking them for the purpose of destruction (ref. Art 3(1))**

Cluster munition type	Quantity separated and marked for destruction	Lot numbers (if possible)	Explosive submunition type	Total quantity separated and marked for destruction	Lot numbers (if possible)	Supplementary information
Total:			Total:			

All cluster munitions in the possession of the Croatian Armed Forces (Form B) were declared non-perspective for future use by the Decision of the Defence Minister on August 16, 2010. In accordance with the order of the Chief of Defence dated October 25, 2017, the decommissioning (disassembling) was carried out of each individual type of cluster munition in CAF possession. The destruction process of the obtained explosive parts will be carried out during the first half of 2018. In accordance with Article 3 (6), the CAF will retain CM as indicated in Form C for training, educational purposes, and static displays at the military museums.

**Form B (continued) Stockpiles and Destruction of Cluster Munitions**

Part II : Status of programs for destruction of Cluster Munitions

Article 7.1 "Each State Party shall report to the Secretary-General ... on:

(e) The status and progress of programmes for the destruction, in accordance with Article 3 of this Convention, of cluster munitions, including explosive submunitions, with details of the methods that will be used in destruction, the location of all destruction sites and the applicable safety and environmental standards to be observed;

(f) The types and quantities of cluster munitions, including explosive submunitions, destroyed in accordance with Article 3 of this Convention, including details of the methods of destruction used, the location of the destruction sites and the applicable safety and environmental standards observed;

g) Stockpiles of cluster munitions, including explosive submunitions, discovered after reported completion of the programme referred to in sub-paragraph (e) of this paragraph, and plans for their destruction in accordance with Article 3 of this Convention;

State [Party]: THE REPUBLIC OF CROATIA reporting for time period from JAN 01, 2017 to DEC 31, 2017

**1. Status and progress of destruction programmes (Article 3)**

Status	<b>Destruction process of remaining CM is continuing and on track to meet deadline.</b>
Plans, general information	<b>The destruction process of the remaining cluster submunitions will be carried out by the military resources in the first half of 2018.</b>
Methods that will be used <sup>1</sup>	<b>Combination of disassembly, recycling, open burning/open detonation and demilitarization techniques.</b>
Name and location of destruction sites that will be used	<b>Military training range "Eugen Kvaternik" near the Town of Slunj.</b>
Applicable safety and environmental standards to be observed	<b>Plan is to minimise the contamination by maximizing the re-use, recycling and reprocessing of materials where possible.</b>
Progress since last report	<b>The decommissioning (disassembling) process of each individual type of cluster munitions in CAF possession was carried out during 2017.</b>
Supplementary information	

<sup>1</sup> Reference to Form B (4).

**2. Destruction of cluster munitions, including explosive submunitions, completed BEFORE the entry into force for the State Party (ONLY for initial reports)**

Cluster munition type	Quantity destroyed	Lot number (if possible)	Explosive submunition type	Quantity destroyed	Lot number (if possible)	Date of Completion	Location of destruction sites	Supplementary information
Total:			Total:					

**3. Types and quantities of cluster munitions, including submunitions, destroyed in accordance with article 3**

a) After entry into force

Cluster munition type	Quantity destroyed	Lot number (if possible)	Explosive submunition type	Quantity destroyed	Lot number (if possible)	Date of Completion	Location of destruction sites	Supplementary information
120 mm M93	586		KB-2	13.478		31 December 2015	Training Area Slunj	
MRLS M87 ORKAN 262 mm	26		KB-1	7.488		31 December 2015	Training Area Slunj	
BL-755	20		MK-1	2940		31 December 2015	Training Area Slunj	
RBK-250 PTAB-2,5M	7		PTAB-2,5M	294		31 December 2015	Training Area Slunj	
Total:	639		Total:	24.200				

b) Additional stockpiles destroyed after reported completion of the programme for destruction



Cluster munition type	Quantity destroyed	Lot number (if possible)	Explosive submunition type	Quantity destroyed *	Lot number (if possible)	Plans for destruction	Progress in destruction/ Date of Completion
Total:			Total:				

- INCLUDING explosive sub munitions which are not contained in a cluster munition.

#### 4. Methods of destruction used

Cluster munition type	Details of the methods of destruction used
120 mm M93	Disassembly and destruction of mortar body with nose and tail removed; (completion by detonation)
262 mm M87 Orkan	Disassembly and detonation of a warhead segment containing KB-1 submunitions
BL-755	Disassembly and extraction of MK-1 submunitions
RBK-250 PTAB-2,5M	Disassembly and extraction of PTAB-2,5M submunitions

Explosive submunition type	Details of the methods of destruction used
Mortar KB-2	Detonation of a mortar body with nose and tail removed; open burning / open detonation
KB-1	Detonation of a warhead segment with submunitions; open burning / open detonation
MK-1	Burning trials on defused submunition warheads; open burning / open detonation
PTAB-2,5M	Burning trials on defused submunition warheads; open burning / open detonation

#### 5. Applicable safety and environmental standards observed in destruction

The Croatian General Staff personnel have developed Standard Operating Procedures for the CM destruction process on a large scale. Plan is to minimise the contamination by maximizing the re-use, recycling and reprocessing of materials where possible. Limiting factors are personnel safety and explosive limits for demolition at the destruction site.

**6. Challenges and International assistance and cooperation needed for the implementation of Article 3**

Activity	Description	Time period	Need
----------	-------------	-------------	------

**Form C Cluster Munitions retained or transferred**

Article 3.8. States Parties retaining, acquiring or transferring cluster munitions or explosive submunitions for the purposes described in paragraphs 6 and 7 of this Article shall submit a detailed report on the planned and actual use of these cluster munitions and explosive submunitions and their type, quantity and lot numbers. If cluster munitions or explosive submunitions are transferred to another State Party for these purposes, the report shall include reference to the receiving party. Such a report shall be prepared for each year during which a State Party retained, acquired or transferred cluster munitions or explosive submunitions and shall be submitted to the Secretary-General of the United Nations (...)."

State [Party]: **THE REPUBLIC OF CROATIA** reporting for time period from **JAN 01, 2017** to **DEC 31, 2017**

**1. Type of cluster munitions or explosive submunitions RETAINED in accordance with Article 3(6)**

Cluster munition type	Quantity	Lot number	Explosive submunition type	Quantity	Lot number	Planned use	Supplementary information
MRLS M87 ORKAN 262mm	1		KB-1	(x288)		The Croatian Armed Forces are planning to keep a total of 6 bombs for training and educational purposes, including some for the static display at the military museum. All cluster bombs will be disassembled and disarmed, with all explosive components removed during the stockpile destruction process.	
Air bomb BL-755	3		MK-1	(x147)			
Air bomb RBK- 250 PTAB-2,5M	2		PTAB-2,5M	(x42)			
Total:	6		Total:				

**2. Type of cluster munitions or explosive submunitions ACQUIRED in accordance with Article 3(6)**

Cluster munition type	Quantity	Lot number	Explosive submunition type	Quantity	Lot number	Planned use	Supplementary information

Total:			Total:	
--------	--	--	--------	--

**3. Retained/acquired cluster munitions or explosive submunitions used during reporting period in accordance with Article 3(6)**

Cluster munition type	Quantity used	Lot number	Explosive submunition type	Quantity used	Lot number	Description of actual use	Supplementary information
Total:			Total:				

**4. Type of cluster munitions or explosive submunitions transferred in accordance with Article 3(7)**

Cluster munition type	Quantity	Lot number	Explosive submunition type	Quantity	Lot number	Purpose of transfer	Receiving State Party
NONE							
Total:			Total:				

**Form D Technical characteristics of each type produced/owned or possessed**

Article 7.1 "Each State Party shall report to the Secretary-General ... on:

(c) The technical characteristics of each type of cluster munition produced by that State Party prior to entry into force of this Convention for it, to the extent known, and those currently owned or possessed by it, giving, where reasonably possible, such categories of information as may facilitate identification and clearance of cluster munitions; at a minimum, this information shall include the dimensions, fusing, explosive content, metallic content, colour photographs and other information that may facilitate the clearance of cluster munition remnants;

State [Party]: THE REPUBLIC OF CROATIA reporting for time period from JAN 01, 2017 to DEC 31, 2017

Cluster munition type*	Dimensions of cluster munition	Cluster munition explosive content (type and weight)	Explosive submunition type and number*	Dimensions of explosive submunition	Submunition fusing	Submunition explosive content (type and weight)	Submunition metallic content (type and weight)	Other information that may facilitate clearance
Mortar, 120 mm M93								
MRLS M87 ORKAN 262mm								
Air bomb BL-755								
Air bomb RBK-250 PTAB-2,5M								
Air bomb RBK-250 275 AO-1 SČ								
Air bomb RBK-250 ZAB-2,5M								

\* Please attach data sheets including colour photographs, if possible.

# 120 mm Mortar Cluster Bomb M93

- **Mass with fuse: 15,2 kg**
- **Length, fused: 817 mm**
- **Range min/max: 380/ 5200 m**
- **Electronic time fuse: TE M93**
- **Number of charges: 0+6**
  - 1 ignition charge M74 B2, 38 gr. (DB powder)**
  - 6 additional charges M93, 83 gr. (SB powder)**
- **Packing: 1 complete round per carton**
  - 2 cartons per wooden case**
- **Case total mass: 46 kg.**
- **Type of bomblet: KB-2, DPICM,**
- **Number of bomblets: 23 pcs.**
- **Bomblet mass: 235 gr, 24 gr. of high explosive**



## MRLS missile 262 mm “ORKAN” M87

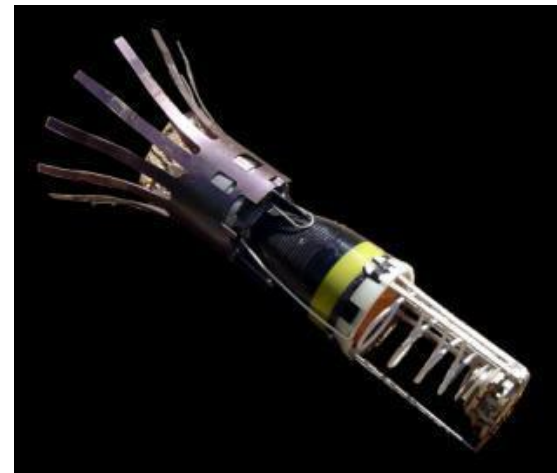


- **Delivery system MRLS, base vehicle FAP 2832 8X8**
- **Maximum range: 50 km, Capacity: 12 launch tubes**
- **Missile mass: 390 kg**
- **Type of bomblets: KB-1, DPICM**
- **Number of bomblets: 288 pcs. / warhead,**
- **Bomblet caliber: 40 mm**
- **Bomblet effectiveness radius: 10 m**
- **Rocket motor: 180 kg double-base propellant and igniter.**

## Aerial Cluster Bomb BL-755



- **Mass: 277 kg**
- **Length: 2,45 m**
- **Max. diameter 448 mm**
- **Type of bomblets: Mk.1, dual-purpose**
- **Number of bomblets: 147 pcs**
- **Mass of bomblet: 1 kg**
- **Warhead weight: 0,68 kg**
- **HE content: 0,228 kg RDX/TNT.**





# Aerial Cluster Bomb RBK-250-275 AO-1SCh



- **Mass: 273 kg, 99 kg. without bomblets**
- **Length: 2120-2149 mm**
- **Gun powder charge: 41 gr.**
- **Type of bomblet: AO-1SCh, fragmentation**
- **Number of bomblets: 150 pcs**
- **Mass of bomblet w/fuse: 1,2 kg**
- **Explosive charge in bomblet: 38 gr.**



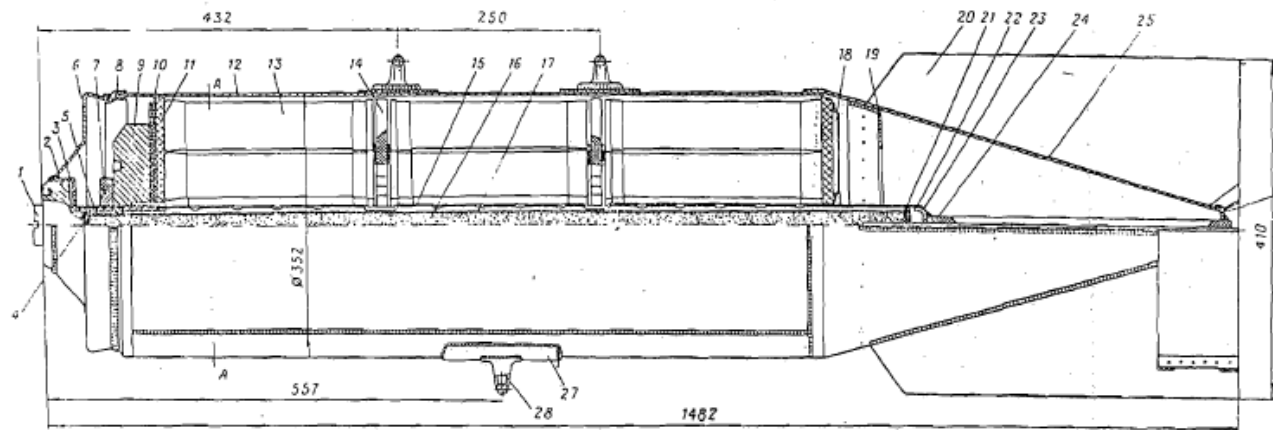
# Aerial Cluster Bomb RBK-250 PTAB-2,5M



- **Mass: 250 kg**
- **Type of bomblet: PTAB-2,5M; shaped charged**
- **Number of bomblets: 42 pcs., HE,**
- **Bomblet weight empty: 1.168 kg**
- **Bomblet length: 145 mm**
- **Bomblet diameter: 90 mm**



## Aerial Cluster Bomb RBK-250 ZAB-2,5M



- **Mass of container: 250 kg**
- **Type of bomblets: ZAB-2,5M incendiary,**
- **Number of bomblets: 48 pcs.,**
- **Bomblets dimensions: 91X135 mm**
- **Weight: 2,7 kg.**
- **Warhead: 1,7 kg.**
- **Incendiary bomb – reporting for transparency**

**Form E      Status and progress of programs for conversion or de-commissioning of production facilities**

Article 7.1      "Each State Party shall report to the Secretary-General ... on:  
                          (d) The status and progress of programmes for the conversion or decommissioning of production facilities for cluster munitions.

State [Party]:    THE REPUBLIC OF CROATIA      reporting for time period from    JAN 01, 2017      to      DEC 31, 2017

Name and location of production facility	Indicate if to "convert" or "decommission"	Status (indicate if "in process" or "completed") and progress of the programme	Supplementary information
<p><b>SUIS d.o.o.</b> <b>Kumrovec, Razvor bb</b></p>	<p><b>FILED FOR</b> <b>BANKRUPCY</b></p>	<p><b>COMPLETED</b></p>	<p><b>With a 2006 Commercial Court decision bankruptcy procedure was finalized.</b> <b>Manufactured 120 mm M93 mortar cluster bombs for MoD.</b></p>

**Form F Contaminated areas and clearance**

Article 7.1 "Each State Party shall report to the Secretary-General ... on:  
 h) To the extent possible, the size and location of all cluster munition contaminated areas under its jurisdiction or control, to include as much detail as possible regarding the type and quantity of each type of cluster munition remnant in each such area and when they were used."  
 i) The status and progress of programmes for the clearance and destruction of all types and quantities of cluster munition remnants cleared and destroyed in accordance with Article 4 of this Convention, to include the size and location of the cluster munition contaminated area cleared and a breakdown to the quantity of each type of cluster munition remnant cleared and destroyed."

State [Party]: REPUBLIC OF CROATIA reporting for time period from JAN 01, 2017 to DEC 31, 2017

**1. Size and location of cluster munition contaminated area\***

Location #	Size of contaminated area (km <sup>2</sup> )	Cluster Munition Remnants		Estimated or known date of contamination	Method used to estimate suspected area	Supplementary information
		Type	Estimated Quantity			
Lika-Senj County	0.73	KB-1 / MK-1	n/a	1991-1995	General Survey	
Zadar County	0.02	KB-1	n/a	1991-1995	General Survey	
Šibenik-Knin County	0.17	KB-1	n/a	1991-1995	General Survey	
Split-Dalmatia County	0.0004	KB-1	n/a	1991-1995	General Survey	
Sisak-Moslavina County	0.14	MK-1	n/a	1991-1995	General Survey	
Total:	<b>1,06</b>	Total:	3.000 (approx.)			

\* If necessary, a separate table for each area may be provided

# List the province/district/village where contaminated areas are located as well as (where possible) map references and grid coordinates sufficient to define the contaminated area.

Supplementary information

## 2. Land release

Provide information on the release of land previously suspected to contain cluster munition remnants by methods other than clearance

Location #	Size of area (m <sup>2</sup> )	Date of release	Method of release (technical or non-technical survey)

### Supplementary information

There was no land release in the reporting period.

### 3. Status and progress of programmes for the clearance for cluster munitions remnants

Location #	Size of cleared area (m <sup>2</sup> )	Status of clearing programme	Cluster Munition Remnants cleared		Clearance Method	Standards applied	
			Type	Quantity		Safety Standards	Environmental Standards
Šibenik-Knin County	245.953	finished	KB-1	52	IMAS	IMAS	
Zadar County	715.034	finished	KB-1	47	IMAS	IMAS	
Lika-Senj County	53.476	finished	KB-1	24	IMAS	IMAS	
Total:	<b>1.014.463</b>		Total:	<b>123</b>			

\* If necessary, a separate table for each area may be provided.

# List the province/district/village where contaminated areas are located as well as (where possible) map references and grid coordinates sufficient to define the contaminated area. Where possible, refer to the corresponding contaminated area described in [Form F, table 1].

#### Supplementary information

During 2017, the Croatian Mine Action Center contracted 5 demining projects containing exclusively CM; the results above illustrate the effect and yield. It is important to mention 1 additional contracted demining project (in the Zadar County) which was completed and resulted with found CM. All CM that were found - **123 KB-1 bomblets** - were destroyed on site without transfer beyond individual project boundary lines. Overall in 2017, approximately 24% of all UXO found was identified as the KB-1 CM type.

**Ministry of Interior:** The Croatian Police department continued with its "Less arms, fewer tragedies" campaign. **During 2017, the Police department collected 118 pieces of KB-1 and MK-1 bomblets.** Weapons and ordnances collected by the Police department are destroyed at Croatia's military facilities.

**4. Status and progress of programme(s) for the destruction of cluster munition remnants\* #**

Location	Status of destruction programme	Cluster Munition Remnants		Destruction Method	Standards applied	
		Type	Quantity		Safety Standards	Environmental Standards
N/A No current projects.						
		Total:				

\* If necessary, a separate table for each area may be provided.

# This table is only for use for those cluster munitions remnants that were not destroyed during a clearance programme (for example cluster munition remnants cleared and subsequently destroyed elsewhere or abandoned cluster munitions).

**Supplementary information**

**5. Challenges and international assistance and cooperation needed for the implementation of Article 4**

Activity	Description	Time period	Need



**Form G Measures to provide warning to the population and risk education**

Article 7.1 "Each State Party shall report to the Secretary-General ... on:

j) The measures taken to provide risk reduction education and, in particular, an immediate and effective warning to civilians living in cluster munition contaminated areas under its jurisdiction or control."

State [Party]: THE REPUBLIC OF CROATIA reporting for time period from JAN 01, 2017 to DEC 31, 2017

**1. Measures taken to provide risk reduction education**

- Holding co-coordinative meetings with relevant government and non-government institutions to achieve higher efficiency of education;
- Providing logistic support to education implementation;
- Ensuring participation at the international education-related workshops with aim to improve educative actions;
- In addition to cartographic presentations and insight, the Croatian Mine Action Centre has developed a unique web application MIS portal, available to all internet users, where it is possible to see the locations and status of all mine suspected areas.

**2. Measures taken for effective warning of the population**

**A variety of mine risk education activities, such as marking of mine suspected area, possibility of getting an insight into mine situation through submission of MSA maps and CDs as well as using [CROMAC web portal](#) have a positive effect on the prevention of mine incidents, but also require additional activities of informing the public and media with mine action aspects.**

In 2017, the Croatian Mine Action Centre coordinated a large number of activities related to informing about mine danger. Through 77 lectures and presentations, more than 27.890 citizens were educated in 2017. Majority of them were kindergarten and elementary school children. Special education was given to the members of hunting associations, Croatian Mountain Rescue Service, hikers, farmers and tourists. Education was provided in Capital of Zagreb and 14 other counties.

The largest number of activities related to the education about dangers of mines and UXO were done in cooperation with the Ministry of Interior and the relevant police departments through the "Less arms, less tragedy" campaign where more than 26.800 people were educated as a part of 66 organized lectures. The cooperation was also achieved with: Croatian Hunting Federation, Croatian Red Cross, "Lions club" Beli Manastir, Disability Volleyball Club Zagreb, county, city and municipal governments and other non-governmental organizations and associations. All actions and activities in Mine Action in Croatia and worldwide were presented on web pages of CROMAC and the Government Office for Mine Action.

Central ceremony for the April 4, International day of Mine Awareness and Assistance in Mine Action was held in the town of Glina in co-organisation of Government Office for Mine Action and CROMAC.

**Form H      Victim assistance: status and progress of implementation of the obligations under Article 5**

Article 7.1      "Each State Party shall report to the Secretary-General ... on:  
(k) The status and progress of implementation of its obligations under Article 5 of this Convention to adequately provide age- and gender- sensitive assistance, including medical care, rehabilitation and psychological support, as well as provide for social and economic inclusion of cluster munition victims and to collect reliable relevant data with respect to cluster munition victims;

State [Party]:      THE REPUBLIC OF CROATIA      reporting for time period from      JAN 01, 2017      to      DEC 31, 2017

**1. National focal point/coordination mechanism for the implementation of Art 5 (specify name and contact information of government body responsible)**

**In 2017 victim assistance was carried out in accordance with legal regulations through government bodies and non-governmental organizations with coordinating role of the Government Office for Mine Action.**

NGO "Mine Aid" continued supporting mine victims through several projects. During 2017, the advisory assistance to persons affected by mines, and their families continued to be provided by Mine Aid. The Republic of Croatia has developed public health care structure that includes clinics, clinical centers, specialized polyclinics, hospitals and rehabilitation centers. All persons being involved in the incidents are entitled to health protection and acquisition of orthopedic aids to the amount covered by the Croatian Health Insurance Institute. These rights are regulated by a number of laws, rules and regulations. Relevant state administration authorities were involved in solving the problems of mine victims relating to medical rehabilitation. In accordance with the Law on Humanitarian Demining, mine victims assistance was conducted with Government Office for Mine Action coordinative role and in co-operation with CROMAC, ministries, domestic and foreign organizations and NGOs. Competent government authorities dealt with problems of mine victims in the part of medical rehabilitation. Other forms of aid were mainly implemented by non-governmental sector, and funding was secured through donations from international and domestic entities.

Most importantly, efforts to provide advisory support to mine victims and their families and to collect data on mine victims and their needs during the process of non-technical survey in continuation of the 2014 project conducted by the Government Office for Mine Action and CROMAC with a goal of establishing unique Mine Victim Database, have been continued.

**2. Data collection and assessment of the needs of cluster munitions victims (please indicate gender and age of survivors as well as information on affected families and communities)**

In 2017 CROMAC and Government Office for Mine Action continued with the development of a unique Data base of all victims of mines and UXOs, and their families. The collection of data is done in cooperation with several ministries i.e. Ministry of Interior, Ministry of Health etc. Questionnaire about mine victim is finalised and everything is prepared to fill in the data base. This will be financed through the Swiss-Croatian Cooperation programme and implemented through the "Demining and Socio-economic Integration" project which correlated socio-economic component has a goal of establishing functional mine victims' data base to serve as a basis for developing further and strengthened policy actions for mine victims.

**3. Development and implementation of national laws and policies for implementation of Article 5**

Republic of Croatia has a well-developed of public health system which includes clinics, clinical centres, specialized polyclinics and hospitals, and rehabilitation centres. All cluster munitions victims have health insurance and Croatian Institute for Health Insurance covers insurances for all mine victims and expenses for very basic orthopaedic aids.

**4. National plan and budget, including timeframes to carry out these activities**

Activities of the Croatian Mine Action Centre and other relevant government institutions are financed from the State Budget with a steadily rising funding from the EU funds. Non-governmental organizations are financed through donations and public tenders as well as from EU funds.

Note: If necessary, plans/budget may be provided separately

**5. Efforts to closely consult with and actively involve cluster munition victims and their representative organizations in victim assistance planning and implementation**

Survivors occasionally participate in the work of government and non-government bodies. Their involvement in providing assistance to other survivors or drafting action plans or implementation of different measures is variable.

**6. Assistance services (including medical care, rehabilitation, psychological support, and social and economic inclusion).**

Service (availability; accessibility; services provided)	Implementing agency	Description of service (progress, types of services, number of persons assisted, time period)
----------------------------------------------------------	---------------------	-----------------------------------------------------------------------------------------------

<p>All cluster munitions victims are entitled to health insurance. Croatian Institute for Health Insurance covers basic insurance for all mine victims and expenses for very basic orthopaedic aids.</p>	<ul style="list-style-type: none"> <li>• Clinics, clinic centres, specialized polyclinics and hospitals, rehabilitation centres.</li> <li>• Ministry of Health</li> <li>• Croatian Institute for Health Insurance</li> <li>• Croatian Institute of Public Health</li> </ul>	<p>Croatian Institute for Health Insurance ensures the execution of contracted health care for each insured person under equal terms. Contracting health care with health institutions and private health workers ensures equal availability of health care on the entire territory of Croatia. Under primary health care, emergency medical assistance is also provided on the entire territory of Croatia. All general and clinical hospitals have a contracted surgical activity which enables the acute treatment of injuries, including injuries from mines. Orthopedic activities were agreed to with specific hospital institutions on the regional and sub-regional level. Medical rehabilitation was agreed to with hospitals that specialize in medical rehabilitation, and insured patients are referred to such rehabilitation</p>
<p>Socio-economic assistance</p>	<p>Croatian Employment Service (CES)</p>	<p>Active employment policy is based on “National Employment Incentive Plan”. All legal entities with at least 20 employees are obliged to employ persons with disabilities on adequate working place, according to their choice, in appropriate working conditions. When hiring a person with disability, state administration bodies as well as legal entities in full or partial ownership of the state are obliged to give priority to such person under the same conditions.</p>
<p>Psychosocial assistance</p>	<p>System of social welfare (i.e. Centres for social welfare)</p>	<p>Provision for continuing psychosocial rehabilitation and reintegration remained weak during the reporting period.</p>

## 7. Steps taken to mobilize national and international resources

- State Budget, donations of regional administration and self-administration units and donations of private companies as well as domestic funding sources. EU funds are becoming more significant item in the financing of different activities and projects.

## 8. Needs for international assistance and cooperation

Activity	Description	Time period	Need


**9. Efforts undertaken to raise awareness of the rights of cluster munition victims and persons with other disabilities**

Through the Swiss-funded project "Demining and Socio-economic Integration" a certain number of outreach activities will be implemented in order to further raise awareness among mine/cluster munition/UXO survivors about their rights and possibilities for their social and economic empowerment.

**Form I National resources and international cooperation and assistance**

Article 7.1 "Each State Party shall report to the Secretary-General ... on:

(m) The amount of national resources, including financial, material or in kind, allocated to the implementation of Articles 3, 4 and 5 of this Convention; and

(n) The amounts, types and destinations of international cooperation and assistance provided under Article 6 of this Convention.

State [Party]: THE REPUBLIC OF CROATIA reporting for time period from JAN 01, 2017 to DEC 31, 2017

[Narrative:] NOT APPLICABLE

**1. National resources allocated**

Activity	Sector (national implementation measures, stockpile destruction, clearance, risk education, victim assistance, advocacy)	Amount of national resources (List currency)	Type of resources (e.g. financial, material, in kind)

**2. International cooperation and assistance provided**

Destination	Sector (stockpile destruction, clearance, risk education, victim assistance, advocacy)	Amount (list currency)	Type of cooperation or assistance (financial, material or in kind)	Details (including date allocated, Trust funds, project details timeframes)
CROMAC	Victim Assistance	CHF 604.695,60	financial	"Demining and Socio-economic Integration" project is financed with

				the wider framework of the Swiss-Croatian Cooperation Programme. Duration of the project is 48 months.

**3. International assistance and cooperation needed**

a) For the implementation of **Article 3** : Stockpile destruction

Activity	Description	Time period	Need

b) For the implementation of **Article 4** : Clearance and risk education

Activity	Description	Time period	Need

c) For the implementation of **Article 5** : Victim assistance

Activity	Description	Time period	Need


**4. Assistance provided by State Parties to another State for cluster munitions used/abandoned prior to entry into force, as outlined in Article 4 paragraph 4**

State Parties that have used or abandoned cluster munitions which have become cluster munitions remnants located in areas under jurisdiction or under control of another State Party are **STRONGLY ENCOURAGED** to provide assistance to the later State Party to facilitate the marking, clearance and destruction of such cluster munition remnants.

--



**Form J**: Other relevant matters

Remark: States Parties may use this form to report voluntarily on other relevant matters, including matters pertaining to compliance and implementation not covered by the formal reporting requirements contained in Article 7.

State Party: **THE REPUBLIC OF CROATIA** reporting for time period from **JAN 01, 2017** to **DEC 31, 2017**

Narrative / reference to other reports

Note: Form J can be used to report, **on a voluntary basis**, on the efforts to encourage states not parties to join the Convention on Cluster Munitions, and to notify such States of Convention obligations as outlined in article 21.