

CONVENTION ON CLUSTER MUNITIONS

REPORTING FORMATS  
FOR ARTICLE 7 OF THE CONVENTION ON CLUSTER MUNITIONS

STATE [PARTY] : .....THE REPUBLIC OF CROATIA .....

NATIONAL POINT(S) OF CONTACT (Organization, telephones, fax, e-mail)<sup>1</sup>:

**OFFICE FOR MINE ACTION, Mesnička 23, Zagreb, Croatia**  
Tel. +385 1 6303 992; Fax: +385 1 6303 996; E-mail: [hrvoje.debac@mine.vlada.hr](mailto:hrvoje.debac@mine.vlada.hr)

**MINISTRY OF DEFENCE, Defence Policy Directorate, Arms Control Section**  
Tel.: +385 1 3784 181; fax: +385 1 3784 383; E-mail: [mjozic@morh.hr](mailto:mjozic@morh.hr)

**CROATIAN MINE ACTION CENTER, Ante Kovačića 10, Sisak, Croatia**  
Tel: +385 44 554 100; Fax: +385 44 554 111; E-mail: [hcr@hcr.hr](mailto:hcr@hcr.hr); WEB: [www.hcr.hr](http://www.hcr.hr)

DATE OF SUBMISSION: **30/05/2015**.....  
[dd/mm/year]

REPORTING TIME PERIOD FROM ... **JAN 01, 2014**..... TO **DEC 31, 2014**.....

NOTE: all data shaded in gray is provided on a VOLUNTARY basis but pertains to compliance and implementation not covered by the formal reporting requirements contained in Article 7.

<sup>1</sup> In accordance with Article 7.1 (l)

**Form A National implementation measures**

Article 7.1 "Each State Party shall report to the Secretary-General ... on:  
 a) The national implementation measures referred to in Article 9."

Remark: In accordance with Article 9, "Each State Party shall take all appropriate legal, administrative and other measures to implement this Convention, including the imposition of penal sanctions, to prevent and suppress any activity prohibited to a State Party under this Convention undertaken by persons or on territory under its jurisdiction or control".

State [Party]: THE REPUBLIC OF CROATIA Reporting for time period from JAN 01, 2014 to DEC 31, 2014

Legal, administrative and other measures taken to implement the CCM (including details on existing legislation and penal sanctions)	Supplementary information (e.g., effective date of implementation & text of legislation attached, administrative measures, policies & directives, training of military forces).
<p>On June 5, 2009 Croatian Parliament passed a Law on Ratification of the CCM. Republic of Croatia formally deposited its ratification instrument with the UN on August 17, 2009. The CCM entered into force on August 1, 2010 becoming binding international law.</p>	<p>The introduction of the CCM to the Croatian Armed Forces was used to reshape and expand the curriculum time dedicated at all levels of education on the agreements, treaties and conventions signed and ratified by the Republic of Croatia. Starting at basic, advance and senior NCO courses it expands and gets more in-depth coverage all the way up to the War College level.</p> <p>The new expanded curriculum is being implemented from the beginning of September 2011.</p>

<p>The Working Group for drafting a new Act on Mine Action was established by the Minister of Interior consisting of representatives of all key actors in Croatian mine action system, namely representatives from the Office for Mine Action (coordinates the WG), the Ministry of Interior, the Ministry of Defence, the Croatian Mine Action Centre, as well as unions and employers associations active in humanitarian demining. Drafting of the new Act started with the intention to regulate not only humanitarian demining, which is just one segment of mine action, but to comprise all the components including the activities which have not been so far sufficiently regulated by the current Act. The emphasis is primarily on assistance to mine victims and on their socio-economic rehabilitation and integration as well as mine risk education. The novelty is the obligation of running a data base on mine victims and their family members with the aim of providing systematic assistance adapted to age and gender. This kind of help includes medical care, rehabilitation and psychological support which will endeavor to secure their social and economic inclusion. The new Act will also tackle the latest achievements in International Mine Action Standards, specifically those related to technical surveying and the possibility of verifying non-contamination of mine suspected areas. New Act on Mine Action is foreseen to be comprehensive, meaning it incorporates mines/CM/UXO and ERW in general. As such, the Act states that each failure in treatment of cluster munitions is subject to misdemeanor sanction.</p>	<p>The Act on Mine Action passed the public debate and the text is currently being submitted to the Parliament debate with expectancy to be enacted this year.</p>
<p>Having recognized that mine/CM/UXO contamination is a problem of domestic security, economic development and environmental pollution, the current Croatian Government decided to strengthen the existing system of mine action by creating its own Office for Mine Action as a focal point in 2012. Office for Mine Action was established as a governmental body in charge of expert, analytical, counseling, and coordinative and other activities regarding the mine action in the Republic of Croatia. As such, the Office also monitors the work, activities and operations of the Croatian Mine Action Center. Together with the participation in intergovernmental cooperation in the field of mine action, the Office also cooperates with different authorities in implementation of obligations under international treaties and conventions on prohibitions or restrictions on the use of certain types of conventional weapons that have unacceptable humanitarian impact, such as landmines, cluster munitions and other.</p>	<p>Decree on the Office for Mine Action ("OG", 21/12)</p>

**Form B Stockpiles and Destruction of Cluster Munitions**

PART I : Stockpiled Cluster Munitions

Article 7.1 "Each State Party shall report to the Secretary-General ... on:

(b) The total of all cluster munitions, including explosive submunitions, referred to in paragraph 1 of Article 3 of this Convention, to include a breakdown of their type, quantity and, if possible, lot numbers of each type;

(g) Stockpiles of cluster munitions, including explosive submunitions, discovered after reported completion of the programme referred to in sub-paragraph (e) of this paragraph, and plans for their destruction in accordance with Article 3 of this Convention.

State [Party]: THE REPUBLIC OF CROATIA reporting for time period from JAN 01, 2014 to DEC 31, 2014

**1. The total of all cluster munitions and explosive submunitions, stockpiled under the jurisdiction and control of the State Party**

*The following table does not include munitions retained for the purpose of training and expertise (in accordance with Article 3.6) reported in Form C*

Cluster munitions type	Quantity	Lot numbers (if possible)	Explosive submunitions type	Total quantity of explosive submunitions	Lot numbers (if possible)	Supplementary information
Mortar, 120 mm M93	<b>7.127</b> (x23)		KB-2	163.921		
MRLS M87 ORKAN, 262 mm	<b>27</b> (X288)		KB-1	7.776		156 pcs. KB-1 Not contained in CM
Air bomb BL-755	<b>23</b> (X147)		MK-1	3.381		127 pcs. MK-1 Not contained in CM
Air bomb RBK-250 PTAB-2,5M	<b>9</b> (X42)		PTAB-2,5M	378		37 pcs. PTAB-2,5M Not contained in CM
Air bomb RBK-250 275 AO-1 SČ	<b>5</b> (X150)		AO-1 SČ	750		147 pcs. AO-1 SČ Not contained in CM
Air bomb RBK-250 ZAB-2,5M	<b>44</b> (X48)		ZAB-2,5M	2.112		<b>Incendiary bomb Rep. for Transparency</b>
Total:	<b>7.235</b>		Total:	<b>178.318</b>		

**2. Additional stockpiles discovered after reported completion of the programme for destruction**

Cluster munition type	Quantity discovered	Lot number (if possible)	Explosive submunition type	Total quantity of explosive submunitions	Lot number (if possible)	Plans for destruction	Where, when and how discovered	Supplementary information
Total:			Total:					

**3. Status and progress ... in separating all CM under its jurisdiction and control from other munitions retained for operational use and marking them for the purpose of destruction (ref. Art 3(1))**

Cluster munition type	Quantity separated and marked for destruction	Lot numbers (if possible)	Explosive submunition type	Total quantity separated and marked for destruction	Lot numbers (if possible)	Supplementary information
Total:			Total:			

All cluster munitions in the possession of the Croatian Armed Forces (Form B) were declared non-perspective for future use by the Decision of the Defence Minister on August 16, 2010. All cluster munitions are stored in accordance to the type of munitions (air bombs, MRLS rockets and mortar grenades). They are all scheduled for the destruction process, except those in Form C, which will be disassembled and disarmed for training and educational purposes, and static displays at the military museums.

In 2014, all cluster munitions were transferred to 3 locations for disassembly and closer proximity to the destruction site.

**Form B (continued) Stockpiles and Destruction of Cluster Munitions**

Part II : Status of programs for destruction of Cluster Munitions

Article 7.1 "Each State Party shall report to the Secretary-General ... on:

(e) The status and progress of programmes for the destruction, in accordance with Article 3 of this Convention, of cluster munitions, including explosive submunitions, with details of the methods that will be used in destruction, the location of all destruction sites and the applicable safety and environmental standards to be observed;

(f) The types and quantities of cluster munitions, including explosive submunitions, destroyed in accordance with Article 3 of this Convention, including details of the methods of destruction used, the location of the destruction sites and the applicable safety and environmental standards observed;

g) Stockpiles of cluster munitions, including explosive submunitions, discovered after reported completion of the programme referred to in sub-paragraph (e) of this paragraph, and plans for their destruction in accordance with Article 3 of this Convention;

State [Party]: THE REPUBLIC OF CROATIA reporting for time period from JAN 01, 2014 to DEC 31, 2014

**1. Status and progress of destruction programmes (Article 3)**

Status	<b>Destruction of CM currently is stopped due to clearance of the former ammunition storage site Pađene. Destruction process of remaining CM will continue after clearance of Pađene, most probably as from August 2015.</b>
Plans, general information	<b>Approximately 110 tons of remaining CM could be reduced in 1 year period with process being done by the national resources and civilian capacities.</b>
Methods that will be used <sup>1</sup>	<b>Combinations of disassembly, recycling, open burning/open detonation and demilitarization techniques.</b>
Name and location of destruction sites that will be used	<b>Disassembly will be done by ISL Sprewerk d.o.o. Gospić and destruction of the CM which is impossible to be disassembled will be performed at the Training ground Slunj.</b>
Applicable safety and environmental standards to be observed	<b>Plan is to minimise the contamination by maximizing the re-use, recycling and reprocessing of materials where possible.</b>
Progress since last report	<b>SOPs for disassembly and destruction methods have been developed. Disposal trials were conducted and viable destruction options were identified for all munitions types.</b>
Supplementary information	

<sup>1</sup> Reference to Form B (4).

**2. Destruction of cluster munitions, including explosive submunitions, completed BEFORE the entry into force for the State Party (ONLY for initial reports)**

Cluster munition type	Quantity destroyed	Lot number (if possible)	Explosive submunition type	Quantity destroyed	Lot number (if possible)	Date of Completion	Location of destruction sites	Supplementary information
Total:			Total:					

**3. Types and quantities of cluster munitions, including submunitions, destroyed in accordance with article 3**

a) After entry into force

Cluster munition type	Quantity destroyed	Lot number (if possible)	Explosive submunition type	Quantity destroyed	Lot number (if possible)	Date of Completion	Location of destruction sites	Supplementary information
120 mm M93	2		KB-2	46		July 04,2011 NPA R&D	Training Area Slunj	
MRLS M87 ORKAN 262 mm	1		KB-1	287		July 04,2011 NPA R&D	Training Area Slunj	
BL-755	1+68*		MK-1	10.025		July 05,2011 NPA R&D	Training Area Slunj	*13. Sept, 2011 68 pcs. Pađane
RBK-250 PTAB-2,5M	1+77*		PTAB-2,5M	3.239		July 05,2011 NPA R&D	Training Area Slunj	*13. Sept, 2011 77 pcs. Pađane
RBK-250 275 AO-1 SČ	1		AO-1SČ	3		July 05,2011 NPA R&D	Training Area Slunj	
RBK-250 ZAB-2,5M	8*		ZAB-2,5M	384				*13. Sept, 2011 8 pcs. Pađane
Total:	159		Total:	13.984				

\* Explosion at the storage site (see below)

b) Additional stockpiles destroyed after reported completion of the programme for destruction

Cluster munition type	Quantity destroyed	Lot number (if possible)	Explosive submunition type	Quantity destroyed *	Lot number (if possible)	Plans for destruction	Progress in destruction/ Date of Completion
Total:			Total:				

- INCLUDING explosive sub munitions which are not contained in a cluster munition.

#### 4. Methods of destruction used

Cluster munition type	Details of the methods of destruction used
120 mm M93	1 pc. Disassembly and destruction of mortar body with nose and tail removed; 1 pc. (complete) by detonation
262 mm M87 Orkan	Disassembly and detonation of a warhead segment containing KB-1 submunitions
BL-755	Disassembly and extraction of MK-1 submunitions
RBK-250 PTAB-2,5M	Disassembly and extraction of PTAB-2,5M submunitions
RBK-250-275-AO-1 SČ	Disassembly and extraction of AO-1 SČ submunitions

Explosive submunition type	Details of the methods of destruction used
Mortar KB-2	Detonation of a mortar body with nose and tail removed; 1 pc. complete unit detonation
KB-1	Detonation of a warhead segment with submunitions, 6.pcs. trial with burning submunitions (failed)
MK-1	Burning trials on defused submunition warheads (successful)
PTAB-2,5M	Burning trials on defused submunition warheads (successful)
AO-1SČ	Burning trial on defused submunition warhead (failed), destroyed by detonation

- In the time period of June 26 to July 7, 2011 Croatian MoD and NPA personnel conducted Research and Development phase of the stockpile destruction programme. The aim of this phase was to conduct a complete breakdown of each



type of cluster munitions and their sub munitions. This was also an opportunity for Croatian personnel to develop Standard Operating Procedures and prepare for the destruction of cluster munitions on large scale. The activity was highly successful as they managed to disassemble each type of munitions and sub munitions, disposal trials were conducted and destruction options were identified for all the munitions types. While the burning trials on sub munitions were successful on MK-1 and PTAB-2,5M, they failed to ignite the explosive in the AO-1SČ and KB-1 bodies. The detonation method was more successful. Currently, the Croatian MoD is considering best destruction options for the reduction of the remaining stockpiles. The selection of the best option depends on several factors including: safety of personnel involved in disassembly; number of munitions and sub munitions; time required; risk of kick-out during demolition; explosive limits on destruction site and environment impact and recovery of materials.

- On September 13, 2011 a local fire engulfed the military storage site Pađene (near Knin) and triggered several explosions. As a result, among other munitions, missiles and ordinance destroyed in the fire (all declared non-perspective for future use), part of the Croatian cluster munitions stocks were also destroyed. They include: 68 Aerial bombs BL-755, 77 Aerial bombs RBK-250 PTAB-2,5M and 8 Aerial bombs RBK-250 ZAB 2,5M with all of the sub munitions. There were no casualties due to this incident. Members of the Support Command supported by AF & AD personnel as well as the Engineering regiment unit are working on sanitizing the affected area. During 2014 the demining battalion along with supporting units were working on searching and clearance of the area inside of military complex and these operations should be finished before the end of 2015. It depends on weather conditions and number of personnel involved.

#### 5. Applicable safety and environmental standards observed in destruction

The Croatian General Staff personnel have developed Standard Operating Procedures for the CM destruction process on a large scale. Plan is to minimise the contamination by maximizing the re-use, recycling and reprocessing of materials where possible. Limiting factors are personnel safety and explosive limits for demolition at the destruction site.

#### 6. Challenges and International assistance and cooperation needed for the implementation of Article 3

Activity	Description	Time period	Need
----------	-------------	-------------	------

Current stockpiles are approximately 110 tons with an estimated need of 200.000 Euro in order to fulfil Article 3 obligations. Croatia believes it has all capabilities and facilities to destroy remaining stockpiles of CM fairly ahead of the Article 3 deadline in 2018.

**Form C Cluster Munitions retained or transferred**

Article 3.8. States Parties retaining, acquiring or transferring cluster munitions or explosive submunitions for the purposes described in paragraphs 6 and 7 of this Article shall submit a detailed report on the planned and actual use of these cluster munitions and explosive submunitions and their type, quantity and lot numbers. If cluster munitions or explosive submunitions are transferred to another State Party for these purposes, the report shall include reference to the receiving party. Such a report shall be prepared for each year during which a State Party retained, acquired or transferred cluster munitions or explosive submunitions and shall be submitted to the Secretary-General of the United Nations (...)."

State [Party]: **THE REPUBLIC OF CROATIA** reporting for time period from **JAN 01, 2014** to **DEC 31, 2014**

**1. Type of cluster munitions or explosive submunitions RETAINED in accordance with Article 3(6)**

Cluster munition type	Quantity	Lot number	Explosive submunition type	Quantity	Lot number	Planned use	Supplementary information
MRLS M87 ORKAN 262mm	2 (X288)		KB-1			The Croatian Armed Forces are planning to keep a total of 14 bombs for training and educational purposes, including some for the static display at the military museum. All cluster bombs will be disassembled and disarmed, with all explosive components removed during the stockpile destruction process.	
Air bomb BL-755	3 (X147)		MK-1				
Air bomb RBK-250 PTAB-2,5M	3 (X42)		PTAB-2,5M				
Air bomb RBK-250 275 AO-1 SČ	3 (X150)		AO-1 SČ				
Air bomb RBK-250 ZAB-2,5M	3 (X48)		ZAB-2,5M			<b>NOT ACTUAL RETENTION</b>	
Total:	<b>14</b>		Total:			<b>These Cluster munitions are already Included in Form B</b>	

**2. Type of cluster munitions or explosive submunitions ACQUIRED in accordance with Article 3(6)**

Cluster munition type	Quantity	Lot number	Explosive submunition type	Quantity	Lot number	Planned use	Supplementary information

Total:			Total:	
--------	--	--	--------	--

**3. Retained/acquired cluster munitions or explosive submunitions used during reporting period in accordance with Article 3(6)**

Cluster munition type	Quantity used	Lot number	Explosive submunition type	Quantity used	Lot number	Description of actual use	Supplementary information
Total:			Total:				

**4. Type of cluster munitions or explosive submunitions transferred in accordance with Article 3(7)**

Cluster munition type	Quantity	Lot number	Explosive submunition type	Quantity	Lot number	Purpose of transfer	Receiving State Party
NONE							
Total:			Total:				

**Form D Technical characteristics of each type produced/owned or possessed**

Article 7.1 "Each State Party shall report to the Secretary-General ... on:

(c) The technical characteristics of each type of cluster munition produced by that State Party prior to entry into force of this Convention for it, to the extent known, and those currently owned or possessed by it, giving, where reasonably possible, such categories of information as may facilitate identification and clearance of cluster munitions; at a minimum, this information shall include the dimensions, fusing, explosive content, metallic content, colour photographs and other information that may facilitate the clearance of cluster munition remnants;

State [Party]: THE REPUBLIC OF CROATIA reporting for time period from JAN 01, 2014 to DEC 31, 2014

Cluster munition type*	Dimensions of cluster munition	Cluster munition explosive content (type and weight)	Explosive submunition type and number*	Dimensions of explosive submunition	Submunition fusing	Submunition explosive content (type and weight)	Submunition metallic content (type and weight)	Other information that may facilitate clearance
Mortar, 120 mm M93								
MRLS M87 ORKAN 262mm								
Air bomb BL-755								
Air bomb RBK-250 PTAB-2,5M								
Air bomb RBK-250 275 AO-1 SČ								
Air bomb RBK-250 ZAB-2,5M								

\* Please attach data sheets including colour photographs, if possible.

# 120 mm Mortar Cluster Bomb M93

- **Mass with fuse: 15,2 kg**
- **Length, fused: 817 mm**
- **Range min/max: 380/ 5200 m**
- **Electronic time fuse: TE M93**
- **Number of charges: 0+6**
  - 1 ignition charge M74 B2, 38 gr. (DB powder)**
  - 6 additional charges M93, 83 gr. (SB powder)**
- **Packing: 1 complete round per carton**
  - 2 cartons per wooden case**
- **Case total mass: 46 kg.**
- **Type of bomblet: KB-2, DPICM,**
- **Number of bomblets: 23 pcs.**
- **Bomblet mass: 235 gr, 24 gr. of high explosive**



## MRLS missile 262 mm “ORKAN” M87

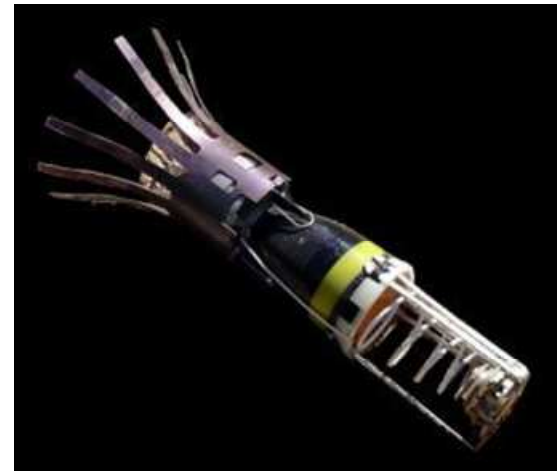


- **Delivery system MRLS, base vehicle FAP 2832 8X8**
- **Maximum range: 50 km, Capacity: 12 launch tubes**
- **Missile mass: 390 kg**
- **Type of bomblets: KB-1, DPICM**
- **Number of bomblets: 288 pcs. / warhead,**
- **Bomblet caliber: 40 mm**
- **Bomblet effectiveness radius: 10 m**
- **Rocket motor: 180 kg double-base propellant and igniter.**

## Aerial Cluster Bomb BL-755



- **Mass: 277 kg**
- **Length: 2,45 m**
- **Max. diameter 448 mm**
- **Type of bomblets: Mk.1, dual-purpose**
- **Number of bomblets: 147 pcs**
- **Mass of bomblet: 1 kg**
- **Warhead weight: 0,68 kg**
- **HE content: 0,228 kg RDX/TNT.**



# Aerial Cluster Bomb RBK-250-275 AO-1SCh



- **Mass: 273 kg, 99 kg. without bomblets**
- **Length: 2120-2149 mm**
- **Gun powder charge: 41 gr.**
- **Type of bomblet: AO-1SCh, fragmentation**
- **Number of bomblets: 150 pcs**
- **Mass of bomblet w/fuse: 1,2 kg**
- **Explosive charge in bomblet: 38 gr.**





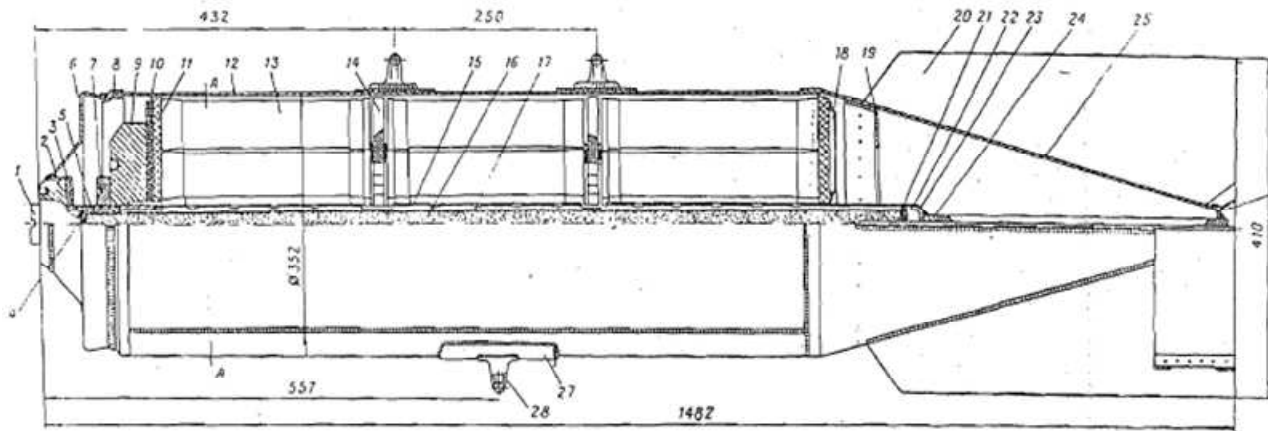
# Aerial Cluster Bomb RBK-250 PTAB-2,5M



- **Mass: 250 kg**
- **Type of bomblet: PTAB-2,5M; shaped charged**
- **Number of bomblets: 42 pcs., HE,**
- **Bomblet weight empty: 1.168 kg**
- **Bomblet length: 145 mm**
- **Bomblet diameter: 90 mm**



## Aerial Cluster Bomb RBK-250 ZAB-2,5M



- **Mass of container: 250 kg**
- **Type of bomblets: ZAB-2,5M incendiary,**
- **Number of bomblets: 48 pcs.,**
- **Bomblets dimensions: 91X135 mm**
- **Weight: 2,7 kg.**
- **Warhead: 1,7 kg.**
- **Incendiary bomb – reporting for transparency**

**Form E Status and progress of programs for conversion or de-commissioning of production facilities**

Article 7.1 "Each State Party shall report to the Secretary-General ... on:  
 (d) The status and progress of programmes for the conversion or decommissioning of production facilities for cluster munitions.

State [Party]: THE REPUBLIC OF CROATIA reporting for time period from JAN 01, 2014 to DEC 31, 2014

Name and location of production facility	Indicate if to "convert" or "decommission"	Status (indicate if "in process" or "completed") and progress of the programme	Supplementary information
SUIS d.o.o. Kumrovec, Razvor bb	FILED FOR BANKRUPCY	COMPLETED	With a 2006 Commercial Court decision bankruptcy procedure was finalized. Manufactured 120 mm M93 mortar cluster bombs for MoD.

**Form F Contaminated areas and clearance**

Article 7.1 "Each State Party shall report to the Secretary-General ... on:  
 h) To the extent possible, the size and location of all cluster munition contaminated areas under its jurisdiction or control, to include as much detail as possible regarding the type and quantity of each type of cluster munition remnant in each such area and when they were used."  
 i) The status and progress of programmes for the clearance and destruction of all types and quantities of cluster munition remnants cleared and destroyed in accordance with Article 4 of this Convention, to include the size and location of the cluster munition contaminated area cleared and a breakdown to the quantity of each type of cluster munition remnant cleared and destroyed."

State [Party]: REPUBLIC OF CROATIA reporting for time period from JAN 01, 2014 to DEC 31, 2014

**1. Size and location of cluster munition contaminated area\***

Location #	Size of contaminated area (m <sup>2</sup> )	Cluster Munition Remnants		Estimated or known date of contamination	Method used to estimate suspected area	Supplementary information
		Type	Estimated Quantity			
Karlovac County	20.111	KB-1	60	1991-1995	General Survey	
Lika-Senj County	705.208	KB-1	841	1991-1995	General Survey	
Zadar County	1.047.720	KB-1	2495	1991-1995	General Survey	
Šibenik-Knin County	278.580	KB-1	463	1991-1995	General Survey	
Split-Dalmatia County	765.490	KB-1	917	1991-1995	General Survey	
Total:	<b>2.817.109</b>	Total:	<b>4.776</b>			

\* If necessary, a separate table for each area may be provided

# List the province/district/village where contaminated areas are located as well as (where possible) map references and grid coordinates sufficient to define the contaminated area.

Supplementary information

During 2014 large areas under CM were cleared, but through new technical surveys new types of CM and new areas were defined. It is noteworthy that two counties (Dubrovnik-Neretva and Sisak-Moslavina) were cleared, but new contaminations in Karlovac county were found. For that reason, despite the significant efforts, there was not much change in the overall quantities and contamination.

## 2. Land release

Provide information on the release of land previously suspected to contain cluster munition remnants by methods other than clearance

Location #	Size of area (m <sup>2</sup> )	Date of release	Method of release (technical or non-technical survey)

### Supplementary information

There was no land release in the reporting period.

## 3. Status and progress of programmes for the clearance for cluster munitions remnants

Location #	Size of cleared area (m <sup>2</sup> )	Status of clearing programme	Cluster Munition Remnants cleared		Clearance Method	Standards applied	
			Type	Quantity		Safety Standards	Environmental Standards
Dubrovnik-Neretva County	36.439	finished	MK-1	6	IMAS	IMAS	
Zadar County	330.023	finished	KB-1	127	IMAS	IMAS	

Šibenik-Knin County	235.173	finished	KB-1	113	IMAS	IMAS	
Sisak-Moslavina County	30.692	finished	KB-1	25	IMAS	IMAS	
Lika-Senj County	27.171	Finished	KB-1	35	IMAS	IMAS	
Total:	<b>689.498</b>		Total:	<b>306</b>			

\* If necessary, a separate table for each area may be provided.

# List the province/district/village where contaminated areas are located as well as (where possible) map references and grid coordinates sufficient to define the contaminated area. Where possible, refer to the corresponding contaminated area described in [Form F, table 1].

#### Supplementary information

Croatian Mine Action Center has contracted 9 demining projects containing CM; the results above illustrate the effect and yield. All of the CM found were destroyed in situ without transfer beyond individual project boundary lines. Furthermore, on 4 demining projects was found and destroyed additional 341 pieces of CM type KB-1 together with 38 pieces of AP mines and 317 pieces of various UXO. **In total 2014 it was found and destroyed 647 pieces of CM KB-1 and MK-1.**

**Ministry of Interior:** The Croatian Police department is continuing its "Less arms, fewer tragedies" program in partnership with UNDP. During 2014, the Police department collected 9 pieces of KB-1 and MK-1 bomblets. Police department is determined to continue these programs and activities in the future. Weapons and ordnances collected by the Police department are destroyed at Croatia's military facilities.

--

#### 4. Status and progress of programme(s) for the destruction of cluster munition remnants\* #

Location	Status of destruction programme	Cluster Munition Remnants		Destruction Method	Standards applied	
		Type	Quantity		Safety Standards	Environmental Standards
N/A No current projects.						

		Total:					

\* If necessary, a separate table for each area may be provided.

# This table is only for use for those cluster munitions remnants that were not destroyed during a clearance programme (for example cluster munition remnants cleared and subsequently destroyed elsewhere or abandoned cluster munitions).

**Supplementary information**

**5. Challenges and international assistance and cooperation needed for the implementation of Article 4**

Activity	Description	Time period	Need

**Form G Measures to provide warning to the population and risk education**

Article 7.1 "Each State Party shall report to the Secretary-General ... on:

j) The measures taken to provide risk reduction education and, in particular, an immediate and effective warning to civilians living in cluster munition contaminated areas under its jurisdiction or control."

State [Party]: THE REPUBLIC OF CROATIA reporting for time period from JAN 01, 2014 to DEC 31, 2014

**1. Measures taken to provide risk reduction education**

- Holding co-coordinative meetings with relevant government and non-government institutions to achieve higher efficiency of education;
- Providing logistic support to education implementation;
- Ensuring participation at the international education-related workshops with aim to improve educative actions;
- In addition to cartographic presentations and insight, the Croatian Mine Action Centre has developed a unique web application MIS portal, available to all internet users, where it is possible to see the locations of mine suspected areas.

**2. Measures taken for effective warning of the population**

**A variety of mine risk education activities, such as marking of mine suspected area, possibility of getting an insight into mine situation through submission of MSA maps and CDs as well as using [CROMAC web portal](#) have a positive effect on the prevention of mine incidents, but also require additional activities of informing the public and media with mine action aspects.**

In 2014 the Croatian Mine Action Centre coordinated a number of activities related to informing about mine danger. According to annual plan, mine risk education of the population in the Republic of Croatia was conducted in 13 counties and 51 municipalities. Informational and educational activities on mine dangers were carried out in collaboration with national and regional/local administrative bodies and as part of the festivities and events: "Less weapons-less tragedies", stands Children in mine environment and Children in danger of mines, Together for Croatia without Mines, Science Festival, Ecological action "Our river-four rivers", Hunting and Fishing Fair, Leap in science, Health for 5, Sisak military fair, Walking in MSAs, Police department open doors day, Secure hunt, Chestnut fest, the biggest discussion table in Croatia, marking the day of cities / municipalities and as a major event "4th April - International Day of Mine awareness and Mine Action Assistance". Altogether, over 16,960 citizens were educated and informed in 2014.



**Form H      Victim assistance: status and progress of implementation of the obligations under Article 5**

Article 7.1      "Each State Party shall report to the Secretary-General ... on:

(k) The status and progress of implementation of its obligations under Article 5 of this Convention to adequately provide age- and gender- sensitive assistance, including medical care, rehabilitation and psychological support, as well as provide for social and economic inclusion of cluster munition victims and to collect reliable relevant data with respect to cluster munition victims;

State [Party]:      THE REPUBLIC OF CROATIA      reporting for time period from      JAN 01, 2014      to      DEC 31, 2014

**1. National focal point/coordination mechanism for the implementation of Art 5 (specify name and contact information of government body responsible)**

**In 2014 victim assistance was carried out in accordance with legal regulations through government bodies and non-governmental organizations with coordinating role of the Croatian Mine Action Centre.** 2014 is noted as the beginning of the unique data collection development of victims of mines and explosive remnants of war and their families. On 12 June 2014, Croatian Mine Action Centre, in coordination with the Agency for protection of personal data, adopted Ordinance on keeping the data of victims of mines and explosive remnants of war and their families.

Furthermore, Office for Mine Action of the Croatian Government in cooperation with the Croatian Mine Action Centre has prepared a pilot project proposed for financing by the Swiss government called "Demining and Mine Victims integration in Sisak-Moslavina County" (with special emphasis on Kotar forest district), which aside from essential demining project component has a goal to create a unified database and analysis of the needs of landmine victims. Moreover, noted project includes targeted training in the form of seminars, workshops, lectures, not only for mine victims and local population, but for the employers also. Intended final results is significant social and economic empowerment and comprehensive integration of mine victims in society.

**2. Data collection and assessment of the needs of cluster munitions victims (please indicate gender and age of survivors as well as information on affected families and communities)**

In 2014 CROMAC and Government Office for Mine Action started with design of unique Data base of all victims of mines and UXOs, and their families. The collection of data is done in cooperation with several ministries i.e. Ministry of Interior, Ministry of Health etc. Questioner about mine victim is finalised and everything is prepared to fill in the data base.

**3. Development and implementation of national laws and policies for implementation of Article 5**

Republic of Croatia has a well-developed of public health system which includes clinics, clinical centres, specialized polyclinics and hospitals, and rehabilitation centres. All cluster munitions victims have health insurance and Croatian Institute for Health Insurance covers insurances for all mine victims and expenses for very basic orthopaedic aids. Although rights of victims/persons with disabilities are regulated by numerous laws and regulations, on the ground reality does not always follow laws and regulations.

**4. National plan and budget, including timeframes to carry out these activities**

- All activities of the Croatian Mine Action Centre and other government institutions are financed from the State Budget. Non-governmental organizations are financed through donations and public tenders as well as from EU funds.

Note: If necessary, plans/budget may be provided separately

**5. Efforts to closely consult with and actively involve cluster munition victims and their representative organizations in victim assistance planning and implementation**

Survivors participate in the work of government and non-government bodies. Their involvement in providing assistance to other survivors or drafting action plans or implementation of different measures is variable.

**6. Assistance services (including medical care, rehabilitation, psychological support, and social and economic inclusion).**

Service (availability; accessibility; services provided)	Implementing agency	Description of service (progress, types of services, number of persons assisted, time period)
--	---------------------	---

<p>All cluster munitions victims are entitled to health insurance. Croatian Institute for Health Insurance covers basic insurance for all mine victims and expenses for very basic orthopaedic aids.</p>	<ul style="list-style-type: none"> <li>• Clinics, clinic centres, specialized polyclinics and hospitals, rehabilitation centres.</li> <li>• Ministry of Health</li> <li>• Croatian Institute for Health Insurance</li> <li>• Croatian Institute of Public Health</li> </ul>	<p>Croatian Institute for Health Insurance ensures the execution of contracted health care for each insured person under equal terms. Contracting health care with health institutions and private health workers ensures equal availability of health care on the entire territory of Croatia. Under primary health care, emergency medical assistance is also provided on the entire territory of Croatia. All general and clinical hospitals have a contracted surgical activity which enables the acute treatment of injuries, including injuries from mines. Orthopedic activities were agreed to with specific hospital institutions on the regional and sub-regional level. Medical rehabilitation was agreed to with hospitals that specialize in medical rehabilitation, and insured patients are referred to such rehabilitation</p> <p>During the reporting period there was one incident caused by cluster munitions that left one military deminer dead and two with light injuries.</p>
<p>Socio-economic assistance</p>	<p>Croatian Employment Service (CES)</p>	<p>CES data base of unemployed persons registered 37 unemployed mine/CM/ERW survivors in the reporting period. Through the mediation of CES 1.744 persons with disabilities were employed in the reporting period. In the same period 204 persons with disabilities were included in different forms of professional rehabilitation. Another 1.076 persons with disabilities were included in active policy employment measures.</p> <p>Active employment policy is based on “National Employment Incentive Plan”. All legal entities with at least 20 employees are obliged to employ persons with disabilities on adequate working place, according to their choice, in appropriate working conditions. When hiring a person with disability, state administration bodies as well as legal entities in full or partial ownership of the state are obliged to give priority to such person under the same conditions.</p>
<p>Psychosocial assistance</p>	<p>System of social welfare (i.e. Centres for social welfare)</p>	<p>Provision for continuing psychosocial rehabilitation and reintegration remained weak during the reporting period.</p>

## 7. Steps taken to mobilize national and international resources

- State Budget, donations of regional administration and self-administration units and donations of private companies as well as domestic funding sources. Foreign governments finance individual projects through public tenders.

**8. Needs for international assistance and cooperation**

Activity	Description	Time period	Need

**9. Efforts undertaken to raise awareness of the rights of cluster munition victims and persons with other disabilities**

**Form I National resources and international cooperation and assistance**

Article 7.1 "Each State Party shall report to the Secretary-General ... on:

(m) The amount of national resources, including financial, material or in kind, allocated to the implementation of Articles 3, 4 and 5 of this Convention; and

(n) The amounts, types and destinations of international cooperation and assistance provided under Article 6 of this Convention.

State [Party]: THE REPUBLIC OF CROATIA reporting for time period from JAN 01, 2014 to DEC 31, 2014

[Narrative:] NOT APPLICABLE

**1. National resources allocated**

Activity	Sector (national implementation measures, stockpile destruction, clearance, risk education, victim assistance, advocacy)	Amount of national resources (List currency)	Type of resources (e.g. financial, material, in kind)
Demining	clearance	4.438.041 HRK	financial

**2. International cooperation and assistance provided**

Destination	Sector (stockpile destruction, clearance, risk education, victim assistance, advocacy)	Amount (list currency)	Type of cooperation or assistance (financial, material or in kind)	Details (including date allocated, Trust funds, project details timeframes)

**3. International assistance and cooperation needed**

a) For the implementation of **Article 3** : Stockpile destruction

Activity	Description	Time period	Need
<b>Stockpile destruction</b>	<b>Disassembly and disposal by burning/detonation of cluster munitions/submunitions in Form B</b>	<b>2014 - 2018</b>	<b>200.000 Euro</b>
			<b>Including recycling</b>

b) For the implementation of **Article 4** : Clearance and risk education

Activity	Description	Time period	Need
<b>Demining</b>	<b>For clearing of 2.817.109 m<sup>2</sup> of land contaminated with cluster munitions</b>	<b>Until August 1, 2018</b>	<b>Financial assistance of approx. 3,5 million USD</b>

c) For the implementation of **Article 5** : Victim assistance

Activity	Description	Time period	Need

**4. Assistance provided by State Parties to another State for cluster munitions used/abandoned prior to entry into force, as outlined in Article 4 paragraph 4**

State Parties that have used or abandoned cluster munitions which have become cluster munitions remnants located in areas under jurisdiction or under control of another State Party are STRONGLY ENCOURAGED to provide assistance to the later State Party to facilitate the marking, clearance and destruction of such cluster munition remnants.



**Form J**: Other relevant matters

Remark: States Parties may use this form to report voluntarily on other relevant matters, including matters pertaining to compliance and implementation not covered by the formal reporting requirements contained in Article 7.

State Party: **THE REPUBLIC OF CROATIA** reporting for time period from **JAN 01, 2014** to **DEC 31, 2014**

Narrative / reference to other reports

Note: Form J can be used to report, **on a voluntary basis**, on the efforts to encourage states not parties to join the Convention on Cluster Munitions, and to notify such States of Convention obligations as outlined in article 21.