

CONVENTION ON CLUSTER MUNITIONS

**REPORTING FORMATS
FOR ARTICLE 7 OF THE CONVENTION ON CLUSTER MUNITIONS**

STATE [PARTY] :**THE REPUBLIC OF CROATIA**

NATIONAL POINT(S) OF CONTACT (Organization, telephones, fax, e-mail)¹:

<p>MINISTRY OF DEFENSE, DEFENSE POLICY DIRECTORATE, CROATIAN VERIFICATION CENTER Tel: +385 1 37 84 126, Fax: +385 1 37 84 194, E-mail: cvc@morh.hr MINISTRY OF FOREIGN AFFAIRS AND EUROPEAN INTEGRATION Tel. +385 1 4569 952; Fax: +385 1 4597 416, E-mail: multilateral@mvpei.hr</p>

DATE OF SUBMISSION: **JAN 24, 2011**.....
[dd/mm/year]

REPORTING TIME PERIOD FROM ... **AUG 01, 2010**.....TO **JAN 01, 2011**.....
[day/month] [day/month] [year]

¹ In accordance with Article 7.1 (l)

Form A National implementation measures

Article 7.1 "Each State Party shall report to the Secretary-General ... on:
a) The national implementation measures referred to in Article 9."

Remark: In accordance with Article 9, "Each State Party shall take all appropriate legal, administrative and other measures to implement this Convention, including the imposition of penal sanctions, to prevent and suppress any activity prohibited to a State Party under this Convention undertaken by persons or on territory under its jurisdiction or control".

State [Party]: THE REPUBLIC OF CROATIA Reporting for time period from AUG 01. 2010 to JAN 01, 2011

Legal, administrative and other measures taken to implement the CCM (including details on existing legislation and penal sanctions)	Supplementary information (e.g., effective date of implementation & text of legislation attached).
<p>On June 05, 2009 The Croatian Parliament passed a Law on Ratification of the CCM convention. Republic of Croatia formally deposited its ratification with the UN on 17. August 2009. The CCM convention entered into force on 01. August, 2010, becoming binding international law. In accordance with the Ratification Law, Ministry of Foreign Affairs and European Integrations (MFAEI) and the Ministry of Defence (MOD) are responsible for the CCM implementation process in the Republic of Croatia. The two ministries are currently forming a working group that would produce a Law on the prohibition of the use, development, production, acquisition, stockpiling and transfer of Cluster munitions. This Law would include the impositions of PENAL SANCTIONS, to prevent and suppress any activity prohibited to a State Party under this Convention undertaken by persons or on territory under its jurisdiction or control. This Law would also establish a National Authority for the coordination and monitoring of the implementation process of the CCM convention in the Republic of Croatia.</p>	

Form B Stockpiles and Destruction of Cluster Munitions

PART I : Stockpiled Cluster Munitions

Article 7.1 "Each State Party shall report to the Secretary-General ... on:

(b) The total of all cluster munitions, including explosive submunitions, referred to in paragraph 1 of Article 3 of this Convention, to include a breakdown of their type, quantity and, if possible, lot numbers of each type;

(g) Stockpiles of cluster munitions, including explosive submunitions, discovered after reported completion of the programme referred to in sub-paragraph (e) of this paragraph, and plans for their destruction in accordance with Article 3 of this Convention.

State [Party]: THE REPUBLIC OF CROATIA reporting for time period from AUG 01, 2010 to JAN 01, 2011

1. The total of all cluster munitions and explosive submunitions, stockpiled under the jurisdiction and control of the State Party

The following table does not include munitions retained for the purpose of training and expertise (in accordance with Article 3.6) reported in Form C

Cluster munition type	Quantity	Lot numbers (if possible)	Explosive submunition type	Total quantity of explosive submunitions	Lot numbers (if possible)	Supplementary information
Mortar, 120 mm M93	7.129 (x23)		KB-2	163.967		
MRLS M87 ORKAN, 262 mm	26 (X288)		KB-1	7.488		
Air bomb BL-755	89 (X147)		MK-1	13.083		
Air bomb RBK-250 PTAB-2,5M	84 (X42)		PTAB-2,5M	3.528		
Air bomb RBK-250 275 AO-1 SČ	3 (X150)		AO-1 SČ	450		
Air bomb RBK-250 ZAB-2,5M	49 (X48)		ZAB-2,5M	2.352		Incendiary bomb Rep. for Transparency
Total:	7.380		Total:	190.868		

2. Additional stockpiles discovered after reported completion of the programme for destruction

Cluster munition type	Quantity discovered	Lot number (if possible)	Explosive submunition type	Total quantity of explosive submunitions	Lot number (if possible)	Plans for destruction	Where, when and how discovered	Supplementary information
Total:			Total:					

3. Status and progress ... in separating all CM under its jurisdiction and control from other munitions retained for operational use and marking them for the purpose of destruction (ref. Art 3(1))

Cluster munition type	Quantity separated and marked for destruction	Lot numbers (if possible)	Explosive submunition type	Total quantity separated and marked for destruction	Lot numbers (if possible)	Supplementary information
Total:			Total:			

All cluster munitions in the possession of the Croatian Armed Forces (Form B + Form C) were declared non-perspective for future use by the Decision of a Defence Minister on 16. AUG, 2010. All cluster munitions are stored with other munitions with the same non operational status and are separated only administratively. They are all scheduled for the destruction process, except ones in Form C, which will be disassembled and disarmed for training and educational purposes, and static displays at the military museums.

Form B (continued) Stockpiles and Destruction of Cluster Munitions

Part II : Status of programs for destruction of Cluster Munitions

Article 7.1 "Each State Party shall report to the Secretary-General ... on:

(e) The status and progress of programmes for the destruction, in accordance with Article 3 of this Convention, of cluster munitions, including explosive submunitions, with details of the methods that will be used in destruction, the location of all destruction sites and the applicable safety and environmental standards to be observed;

(f) The types and quantities of cluster munitions, including explosive submunitions, destroyed in accordance with Article 3 of this Convention, including details of the methods of destruction used, the location of the destruction sites and the applicable safety and environmental standards observed;

g) Stockpiles of cluster munitions, including explosive submunitions, discovered after reported completion of the programme referred to in sub-paragraph (e) of this paragraph, and plans for their destruction in accordance with Article 3 of this Convention;

State [Party]: THE REPUBLIC OF CROATIA reporting for time period from AUG 01, 2010 to JAN 01, 2011

1. Status and progress of destruction programmes (Article 3)

Status	Beginning stages of research. 2 visits of NPA team resulted in a Feasibility Study, currently under consideration by MOD.
Plans, general information	Approximately 171 tons of munitions could be reduced in a 6 months period, If financial resources can be located, Croatia can finish the destruction program by the end of 2012.
Methods that will be used ¹	Combination of disassembly, recycling and open burning/detonation techniques.
Name and location of destruction sites that will be used	Golubić work shop is planned for disassembly of munitions. Actual destruction would be performed at the Training grounds of Slunj.
Applicable safety and environmental standards to be observed	Plan is to minimise the contamination by maximizing the re-use, recycling and reprocessing of materials where possible.
Progress since last report	
Supplementary information	

1 Reference to Par 3

2. Types and quantities of cluster munitions, including explosive submunitions, destroyed in accordance with Article 3

2. a. At the entry into force for the State Party

Cluster munition type	Quantity destroyed	Lot number (if possible)	Explosive submunition type	Quantity destroyed	Lot number (if possible)	Date of Completion	Location of destruction sites	Supplementary information
Total:			Total:					

2. b. After entry into force

Cluster munition type	Quantity destroyed	Lot number (if possible)	Explosive submunition type	Quantity destroyed	Lot number (if possible)	Date of Completion	Location of destruction sites	Supplementary information
Total:			Total:					

2. c. Additional stockpiles destroyed after reported completion of the programme for destruction

Cluster munition type	Quantity destroyed	Lot number (if possible)	Explosive submunition type	Quantity destroyed *	Lot number (if possible)	Plans for destruction	Progress in destruction/ Date of Completion
Total:			Total:				

- To be completed in situations where stockpiles of explosive submunitions are discovered which are not contained in a cluster munition.

3. Methods of destruction used

Cluster munition type	Details of the methods of destruction used

Explosive submunition type	Details of the methods of destruction used

4. Applicable safety and environmental standards observed in destruction

--

5. Challenges and International assistance and cooperation needed for the implementation of Article 3

Activity	Description	Time period	Need

Form C Cluster Munitions retained or transferred

Article 3.8. States Parties retaining, acquiring or transferring cluster munitions or explosive submunitions for the purposes described in paragraphs 6 and 7 of this Article shall submit a detailed report on the planned and actual use of these cluster munitions and explosive submunitions and their type, quantity and lot numbers. If cluster munitions or explosive submunitions are transferred to another State Party for these purposes, the report shall include reference to the receiving party. Such a report shall be prepared for each year during which a State Party retained, acquired or transferred cluster munitions or explosive submunitions and shall be submitted to the Secretary-General of the United Nations (...)."

State [Party]: THE REPUBLIC OF CROATIA reporting for time period from 01 AUG, 2010 to 01 JAN, 2011

1. Type of cluster munitions or explosive submunitions retained in accordance with Article 3(6)

Cluster munition type	Quantity	Lot number	Explosive submunition type	Quantity	Lot number	Planned use	Supplementary information
MRLS M87 ORKAN 262mm	2 (X288)		KB-1	576		The Croatian Armed Forces are planning to keep a total of 14 bombs for training and educational purposes, including some for the static display at the military museum. All cluster bombs will be disassembled and disarmed, with all explosive components removed during the stockpile destruction process.	
Air bomb BL-755	3 (X147)		MK-1	441			
Air bomb RBK-250 PTAB-2,5M	3 (X42)		PTAB-2,5M	126			
Air bomb RBK-250 275 AO-1 SČ	3 (X150)		AO-1 SČ	450			
Air bomb RBK-250 ZAB-2,5M	3 (X48)		ZAB-2,5M	144			
Total:	14		Total:	1737			

2. Type of cluster munitions or explosive submunitions acquired in accordance with Article 3(6)

Cluster munition type	Quantity	Lot number	Explosive submunition type	Quantity	Lot number	Planned use	Supplementary information
Total:			Total:				

3. Type of retained/acquired cluster munitions or explosive submunitions actually used in accordance with Article 3(6)

Cluster munition type	Quantity used	Lot number	Explosive submunition type	Quantity used	Lot number	Description of actual use	Supplementary information
Total:			Total:				

4. Type of cluster munitions or explosive submunitions transferred in accordance with Article 3(7)

Cluster munition type	Quantity	Lot number	Explosive submunition type	Quantity	Lot number	Purpose of transfer	Receiving State Party
Total:			Total:				

Form D Technical characteristics of each type produced/owned or possessed

Article 7.1 "Each State Party shall report to the Secretary-General ... on:

(c) The technical characteristics of each type of cluster munition produced by that State Party prior to entry into force of this Convention for it, to the extent known, and those currently owned or possessed by it, giving, where reasonably possible, such categories of information as may facilitate identification and clearance of cluster munitions; at a minimum, this information shall include the dimensions, fusing, explosive content, metallic content, colour photographs and other information that may facilitate the clearance of cluster munition remnants;

State [Party]: THE REPUBLIC OF CROATIA reporting for time period from 01 AUG, 2010 to 01 JAN, 2011

Cluster munition type*	Dimensions of cluster munition	Cluster munition explosive content (type and weight)	Explosive submunition type and number*	Dimensions of explosive submunition	Submunition fusing	Submunition explosive content (type and weight)	Submunition metallic content (type and weight)	Other information that may facilitate clearance
Mortar, 120 mm M93								
MRLS M87 ORKAN 262mm								
Air bomb BL-755								
Air bomb RBK-250 PTAB-2,5M								
Air bomb RBK-250 275 AO-1 SČ								
Air bomb RBK-250 ZAB-2,5M								

* Please attach data sheets including colour photographs, if possible.

120 mm Mortar Cluster Bomb M93

- **Mass with fuse: 15,2 kg**
- **Length, fused: 817 mm**
- **Range min/max: 380/ 5200 m**
- **Electronic time fuse: TE M93**
- **Number of charges: 0+6**
 - 1 ignition charge M74 B2, 38 gr. (DB powder)**
 - 6 additional charges M93, 83 gr. (SB powder)**
- **Packing: 1 complete round per carton**
 - 2 cartons per wooden case**
- **Case total mass: 46 kg.**
- **Type of bomblet: KB-2, DPICM,**
- **Number of bomblets: 23 pcs.**
- **Bomblet mass: 235 gr, 24 gr. of high explosive**



MRLS missile 262 mm “ORKAN” M87

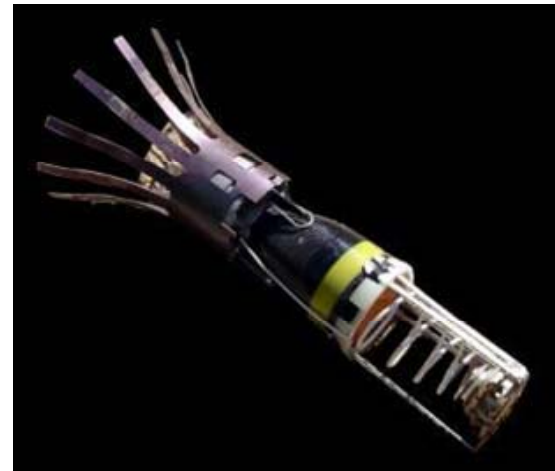


- **Delivery system MRLS, base vehicle FAP 2832 8X8**
- **Maximum range: 50 km, Capacity: 12 launch tubes**
- **Missile mass: 390 kg**
- **Type of bomblets: KB-1, DPICM**
- **Number of bomblets: 288 pcs. / warhead,**
- **Bomblet caliber: 40 mm**
- **Bomblet effectiveness radius: 10 m**
- **Rocket motor: 180 kg double-base propellant and igniter.**

Aerial Cluster Bomb BL-755



- **Mass: 277 kg**
- **Length: 2,45 m**
- **Max. diameter 448 mm**
- **Type of bomblets: Mk.1, dual-purpose**
- **Number of bomblets: 147 pcs**
- **Mass of bomblet: 1 kg**
- **Warhead weight: 0,68 kg**
- **HE content: 0,228 kg RDX/TNT.**



Aerial Cluster Bomb RBK-250-275 AO-1SCh



- **Mass: 273 kg, 99 kg. without bomblets**
- **Length: 2120-2149 mm**
- **Gun powder charge: 41 gr.**
- **Type of bomblet: AO-1SCh, fragmentation**
- **Number of bomblets: 150 pcs**
- **Mass of bomblet w/fuse: 1,2 kg**
- **Explosive charge in bomblet: 38 gr.**



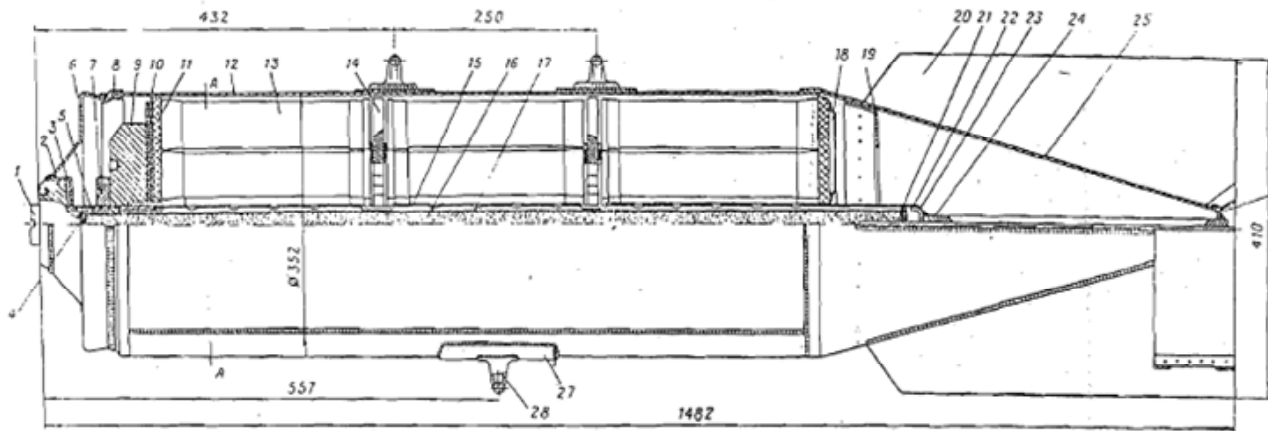
Aerial Cluster Bomb RBK-250 PTAB-2,5M



- **Mass: 250 kg**
- **Type of bomblet: PTAB-2,5M; shaped charged**
- **Number of bomblets: 42 pcs., HE,**
- **Bomblet weight empty: 1.168 kg**
- **Bomblet length: 145 mm**
- **Bomblet diameter: 90 mm**



Aerial Cluster Bomb RBK-250 ZAB-2,5M



- **Mass of container: 250 kg**
- **Type of bomblets: ZAB-2,5M incendiary,**
- **Number of bomblets: 48 pcs.,**
- **Bomblets dimensions: 91X135 mm**
- **Weight: 2,7 kg.**
- **Warhead: 1,7 kg.**
- **Incendiary bomb – reporting for transparency**

Form E Status and progress of programs for conversion or de-commissioning of production facilities

Article 7.1 "Each State Party shall report to the Secretary-General ... on:
 (d) The status and progress of programmes for the conversion or decommissioning of production facilities for cluster munitions.

State [Party]: THE REPUBLIC OF CROATIA reporting for time period from AUG 01, 2010 to JAN 01, 2011

Name and location of production facility	Indicate if to "convert" or "decommission"	Status (indicate if "in process" or "completed") and progress of the programme	Supplementary information
			There are several manufacturers in the Republic of Croatia that produce military equipment, but not cluster munitions.

Form F Contaminated areas and clearance

Article 7.1 "Each State Party shall report to the Secretary-General ... on:

h) To the extent possible, the size and location of all cluster munition contaminated areas under its jurisdiction or control, to include as much detail as possible regarding the type and quantity of each type of cluster munition remnant in each such area and when they were used."

i) The status and progress of programmes for the clearance and destruction of all types and quantities of cluster munition remnants cleared and destroyed in accordance with Article 4 of this Convention, to include the size and location of the cluster munition contaminated area cleared and a breakdown to the quantity of each type of cluster munition remnant cleared and destroyed."

State [Party]: REPUBLIC OF CROATIA reporting for time period from AUG. 01, 2010 to JAN. 01, 2011

1. Size and location of cluster munition contaminated area*

Location #	Size of contaminated area (m ²)	Cluster Munition Remnants		Estimated or known date of contamination	Method used to estimate suspected area	Supplementary information
		Type	Estimated Quantity			
Bjelovar-Bilogora County	359.648	MK-1	5	1991-1995	General Survey	Supplementary information obtained during demining operations
Sisak-Moslavina County	115.400	KB-1	140	1991-1995	General Survey	
Karlovac County	20.111	KB-1	20	1991-1995	General Survey	
Lika-Senj County	966.117	KB-1	1170	1991-1995	General Survey	
Zadar County	2.404.241	KB-1	2920	1991-1995	General Survey	
Šibenik-Knin County	509.079	KB-1	620	1991-1995	General Survey	
Split-Dalmatia County	816.446	KB-1	920	1991-1995	General Survey	
Dubrovnik-Neretva County	122.409	MK-1	15	1991-1995	General Survey	
Total:	5.313.451	Total:	5810			

* If necessary, a separate table for each area may be provided

On a voluntary basis, list the province/district/village where contaminated areas are located as well as (where possible) map references and grid coordinates sufficient to define the contaminated area.

2. Status and progress of programmes for the clearance for cluster munitions remnants

Location #	Size of cleared area (m ²)	Status of clearing programme	Cluster Munition Remnants cleared		Clearance Method	Standards applied	
			Type	Quantity		Safety Standards	Environmental Standards
Bjelovar-Bilogora County	68.202	finished	MK-1	7			
Total:	68.202		Total:	7			

* If necessary, a separate table for each area may be provided.

On a voluntary basis, list the province/district/village where contaminated areas are located as well as (where possible) map references and grid coordinates sufficient to define the contaminated area. Where possible, refer to the corresponding contaminated area described in [Form F, table 1].

Supplementary information

[narrative]

This area was cleared and released in June, 2010. All cluster munitions remnants were destroyed immediately.

3. Status and progress of programme(s) for the destruction of cluster munition remnants* #

Location	Status of destruction programme	Cluster Munition Remnants		Destruction Method	Standards applied	
		Type	Quantity		Safety Standards	Environmental Standards
		Total:				

* If necessary, a separate table for each area may be provided.

This table is only for use for those cluster munitions remnants that were not destroyed during a clearance programme (for example cluster munition remnants cleared and subsequently destroyed elsewhere or abandoned cluster munitions).

4. Land release

On a voluntary basis, provide information on the release of land previously suspected to contain cluster munition remnants

Location #	Size of area (m ²)	Date of release	Method of release (technical or non-technical survey)

Supplementary information

There was no land release in the reporting period

5. Implementation of Article 4 paragraph 4 - Provision of information or assistance to another State Party to facilitate the marking, clearance or destruction of cluster munition remnants

--

6. Challenges and international assistance and cooperation needed for the implementation of Article 4

Activity	Description	Time period	Need

Form G Measures to provide warning to the population and risk education

Article 7.1 "Each State Party shall report to the Secretary-General ... on:

j) The measures taken to provide risk reduction education and, in particular, an immediate and effective warning to civilians living in cluster munition contaminated areas under its jurisdiction or control."

State [Party]: THE REPUBLIC OF CROATIA reporting for time period from AUG 01, 2010 to JAN 01, 2011

2. Measures taken to provide risk reduction education

- Appointment of person responsible for education
- holding co-coordinative meetings with government and non-government institutions due to harmonization of work with aim to achieve higher efficiency during education implementation
- providing logistic support to education implementation
- ensuring participation at the international education-related workshops with aim to improve educative actions

3. Measures taken for effective warning of the population

- placement of over 400 cluster munitions warning signs in 28 towns and municipalities on the territory of 8 counties
 - TV and radio spots, theatrical performances and exhibitions, lectures and panels, cluster munitions information billboards and leaflets, humanitarian dinners and concerts.
- In reported period, large number of people was exposed to cluster munitions awareness messages through some of the activity, while in lectures and theatrical plays about 6.000 children and 1.000 adults were directly involved

Form H Victim assistance : status and progress of implementation of the obligations under Article 5

Article 7.1 "Each State Party shall report to the Secretary-General ... on:

(k) The status and progress of implementation of its obligations under Article 5 of this Convention to adequately provide age- and gender- sensitive assistance, including medical care, rehabilitation and psychological support, as well as provide for social and economic inclusion of cluster munition victims and to collect reliable relevant data with respect to cluster munition victims;

State [Party]: THE REPUBLIC OF CROATIA reporting for time period from AUG 01, 2010 to JAN 01, 2011

1. National focal point/coordination mechanism for the implementation of Art 5

- establishment of co-coordinative body that includes all governmental and non-governmental organizations involved in mine victim assistance
- well-structured health and social welfare system; not always equally available to all.

2. Assessment of the needs of cluster munitions victims (survivors –please mention gender and age; families; communities)

Basic assistance (from the first aid to informing about their rights) is generally provided to all survivors and their families through government institutions. Not infrequently, survivors complain that the quality and/or frequency of orthopaedics aids that they receive are inadequate.

3. Development and implementation of national laws and policies/synergies with existing instruments

Republic of Croatia has developed structure of public health and health system. It includes clinics, clinic centres, specialized polyclinics and hospitals, and rehabilitation centres. All cluster munitions victims have health insurance and Croatian Institute for Health Insurance covers insurances for all mine victims and expenses for very basic orthopaedic aids. Rights are regulated by numerous laws and regulations. Unfortunately, on the ground reality does not always follow laws and regulations.

4. National plan and budget

- adoption of the "Croatian Action Plan of Assistance to Landmine and ERW Survivors 2010-2014" is currently in progress
 - all activities of the Croatian Mine Action Centre and other government institutions are financed from the state budget. Non-governmental organizations are financed by donations they receive by sending specific projects to public

5. Efforts to include survivors in victim assistance planning and implementation, and outreach efforts

Survivors are participants of all government and non-government bodies but too often their participation is a tokenism. Their involvement in providing assistance to the survivors or drafting action plans or implementation of different measures is variable.

6. National and international resources

- State budget, donations of regional administration and self-administration units and donations of private business subjects as well as domestic funding sources. Foreign governments finance individual projects through public tenders

7. Assistance services (including medical care, rehabilitation, psychological support, and social and economic inclusion).

Service (availability; accessibility; services provided)	Implementing agency	Description of service (progress, types of services, number of persons assisted, time period)
All cluster munitions victims are entitled to have health insurance. Croatian Institute for Health Insurance covers basic insurance for all mine victims and expenses for very basic orthopaedic aids	Clinics, clinic centres, specialized polyclinics and hospitals, and rehabilitation centres.	During the report period there were no incidents caused by cluster munitions

8. Needs for international assistance and cooperation

Activity	Description	Time period	Need

Form I National resources and international cooperation and assistance

Article 7.1 "Each State Party shall report to the Secretary-General ... on:

(m) The amount of national resources, including financial, material or in kind, allocated to the implementation of Articles 3, 4 and 5 of this Convention; and

(n) The amounts, types and destinations of international cooperation and assistance provided under Article 6 of this Convention.

State [Party]: THE REPUBLIC OF CROATIA reporting for time period from AUG 01, 2010 to JAN 01, 2011

[Narrative:] NOT APPLICABLE

1. National resources allocated

Activity	Sector (national implementation measures, stockpile destruction, clearance, risk education, victim assistance, advocacy)	Amount of national resources (List currency)	Type of resources (e.g. financial, material, in kind)
Demining	clearance	545.616,00 HRK	financial

2. International cooperation and assistance provided

Destination	Sector (national implementation measures, stockpile destruction, clearance, risk education, victim assistance, advocacy)	Amount	Details

3. International assistance and cooperation needed

a. For the implementation of Article 3 : Stockpile destruction

Activity	Description	Time period	Need

b. For the implementation of Article 4 : Clearance and risk education

Activity	Description	Time period	Need
Demining	For clearing of 5.313.434 m² of land contaminated with cluster munitions	Until August 01, 2015	Financial assistance of aprox. 5 million US \$

c. For the implementation of **Article 5** : Victim assistance

Activity	Description	Time period	Need

Form J: Other relevant matters

Remark: States Parties may use this form to report voluntarily on other relevant matters, including matters pertaining to compliance and implementation not covered by the formal reporting requirements contained in Article 7.

State Party: **THE REPUBLIC OF CROATIA** reporting for time period from **AUG 01, 2010** to **JAN 01, 2011**

Narrative / reference to other reports